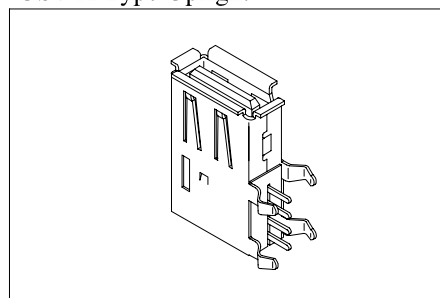


1001 SERIES USB A Type Receptacle Connectors

Specifications/技术参数:

Insulator (塑胶本体):	PBT+30% G.F. UL 94V-0
Contacts (接触件):	Brass
Shell (外壳):	Brass or SPCC
Insertion Force (插入力):	35N max
Withdrawal Force (拔出力):	10N min
Durability (插拔次数):	1500 cycles min
Current Rating (额定电流):	1.5A
Voltage Rating (额定电压):	30V
Withstand Voltage (耐压值):	500VAC for one minute
Contact Resistance (接触电阻):	30mΩ max
Insulation Resistance (绝缘电阻):	1000MΩ min
Temperature Range (工作温度):	-55°C~+85°C
Plating options (电镀选项):	
Shell (外壳):	Nick over all plating
Contacts (接触件):	Gold Flash and Tin Plated over all

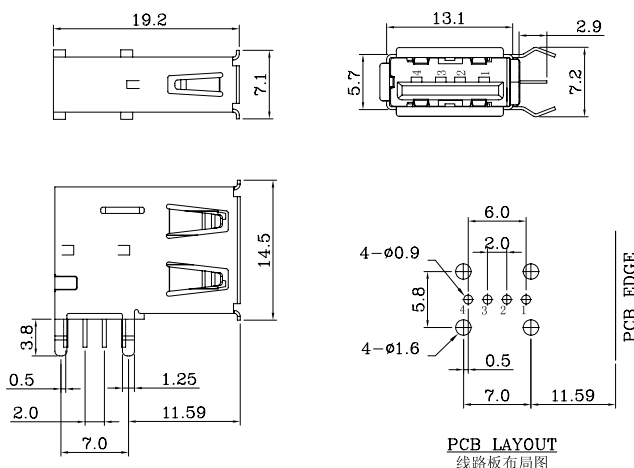
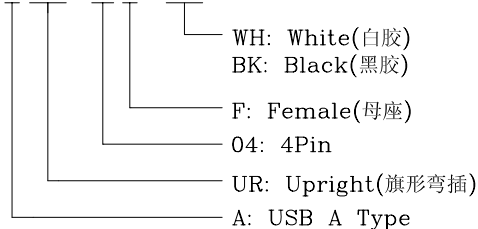
USB A Type Upright



Unit/单位: mm

Dimension/尺寸: mm

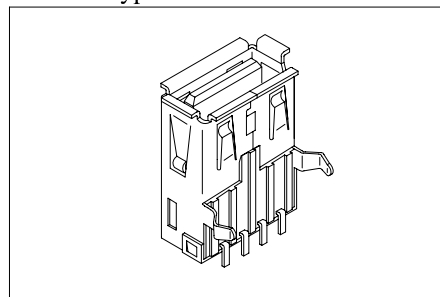
1001 A UR - 04 F - WH



Specifications/技术参数:

Insulator (塑胶本体):	PBT+30% G.F. UL 94V-0
Contacts (接触件):	Brass
Shell (外壳):	Brass or SPCC
Insertion Force (插入力):	35N max
Withdrawal Force (拔出力):	10N min
Durability (插拔次数):	1500 cycles min
Current Rating (额定电流):	1.5A
Voltage Rating (额定电压):	30V
Withstand Voltage (耐压值):	500VAC for one minute
Contact Resistance (接触电阻):	30mΩ max
Insulation Resistance (绝缘电阻):	1000MΩ min
Temperature Range (工作温度):	-55°C~+85°C
Plating options (电镀选项):	
Shell (外壳):	Nick over all plating
Contacts (接触件):	Gold Flash and Tin Plated over all

USB A Type Horizontal SMT



Unit/单位: mm

Dimension/尺寸: mm

1001 A MR - 04 F - WH

