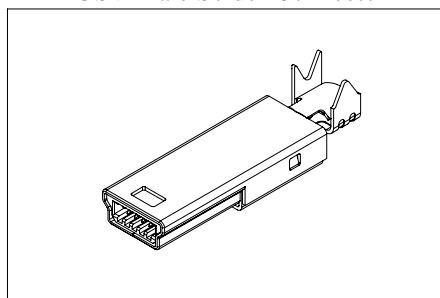


# 1041 SERIES Mini USB B Type Plug Connectors

## Specifications/技术参数:

Insulator(塑胶本体):	PA6T+30% G.F. UL 94V-0
Contacts(接触件):	Phosphor Bronze
Shell(外壳):	SPCC
Insertion Force(插入力):	35N max
Withdrawal Force(拔出力):	7N min
Durability(插拔次数):	5000 cycles min
Current Rating(额定电流):	1.0A
Voltage Rating(额定电压):	30V
Withstand Voltage(耐压值):	100VAC for one minute
Contact Resistance(接触电阻):	50mΩ max
Insulation Resistance(绝缘电阻):	100MΩ min
Temperature Range(工作温度):	-55°C~+85°C
Plating options(电镀选项):	
Shell(外壳):	Nick over all plating
Contacts(接触件):	Gold Flash and Tin Plated over all

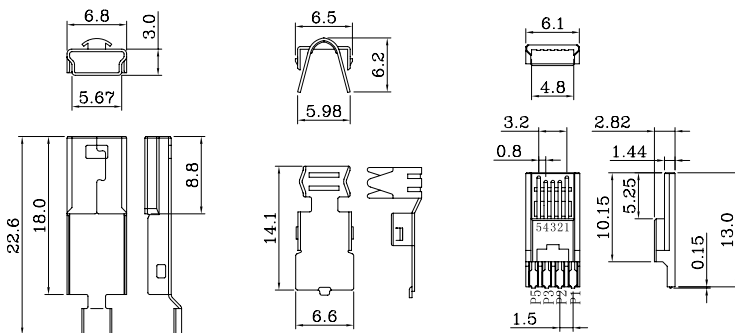
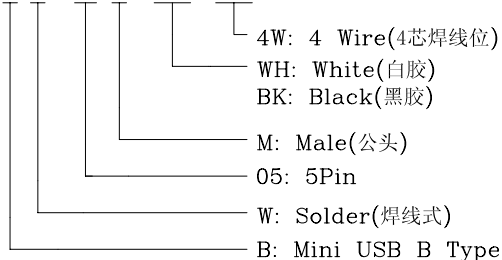
Mini USB Male Solder Connector



Unit/单位: mm

## Dimension/尺寸: mm

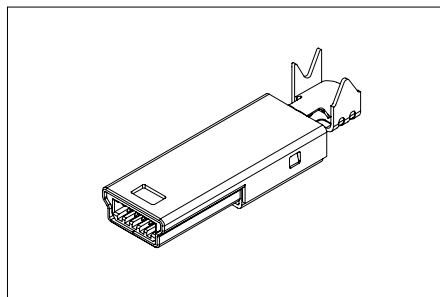
1041 B W - 05 M - BK - 4W



## Specifications/技术参数:

Insulator(塑胶本体):	PA6T+30% G.F. UL 94V-0
Contacts(接触件):	Phosphor Bronze
Shell(外壳):	SPCC
Insertion Force(插入力):	35N max
Withdrawal Force(拔出力):	7N min
Durability(插拔次数):	5000 cycles min
Current Rating(额定电流):	1.0A
Voltage Rating(额定电压):	30V
Withstand Voltage(耐压值):	100VAC for one minute
Contact Resistance(接触电阻):	50mΩ max
Insulation Resistance(绝缘电阻):	100MΩ min
Temperature Range(工作温度):	-55°C~+85°C
Plating options(电镀选项):	
Shell(外壳):	Nick over all plating
Contacts(接触件):	Gold Flash and Tin Plated over all

Mini USB Male Solder Connector



Unit/单位: mm

## Dimension/尺寸: mm

1041 B W - 05 M - BK

