

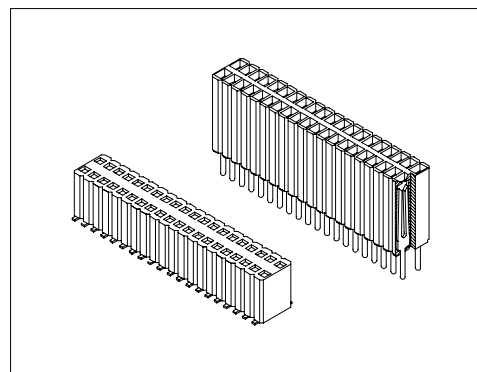
Specifications/技术参数:

Electrical/电气特性:

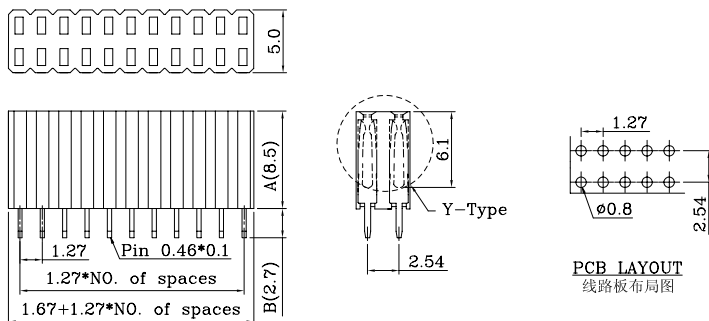
Current Rating(额定电流): 1A
 Withstand Voltage(耐压值): 500VAC for one minute
 Contact Resistance(接触电阻): 20mΩ max
 Insulation Resistance(绝缘电阻): 1000MΩ min
 Operating Temperature(工作温度): -40°C ~ +105°C

Physical/物理特性:

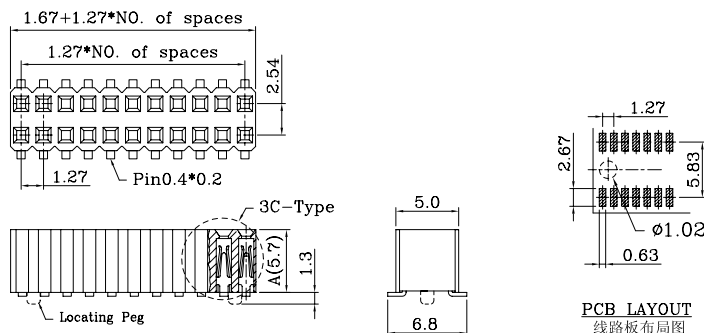
Insulator(塑胶本体): P.B.T or PA6T +30%GF, Color Black
 Flammability Rating(防火等级): UL 94V-0
 Contacts(接触件): Phosphor Bronze
 Contacts plating(接触件电镀): Gold flash over Nickel



Dimension/尺寸: mm

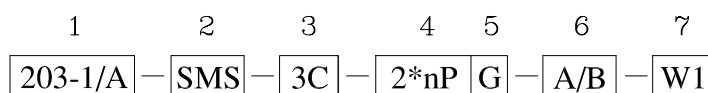


1.27*2.54mm Female header/排母
 Dual row 06 to 100 contacts/双排6-100芯
 Profile/塑高: 8.5mm
 Pin length/焊板针长: 2.7mm
 Ordering Code/订购型号:
 203-1/A-S-Y-2*nPG-8.5/2.7



1.27*2.54mm SMT Female header/贴片排母
 Dual row 06 to 100 contacts/双排6-100芯
 Profile/塑高: 5.7mm
 W1: With Locating peg/带内定位柱
 Ordering Code/订购型号:
 203-1/A-SMS-3C-2*nPG-5.7-W1

Ordering Code/订购型号:



1. Series No./系列号: 203-1/A

2. PCB Mount Type/安装类型:

S = Vertical DIP Type(直插)
 SMS = Vertical SMT Type(立贴)

3. Contacts Type/接触件类型:

Y = Y-Type(二面包)
 3C = 3C-Type(三面包)

4. Poles/位数:

Dual/双排: 2*3P ~ 2*50P

5. Contacts plating/接触件电镀:

S = Selective Gold(半金)
 G = Gold flash(全金)

6. Dimension/尺寸: A/B

7. Options/选项:

W1 = With Locating Peg(带内定位柱)