

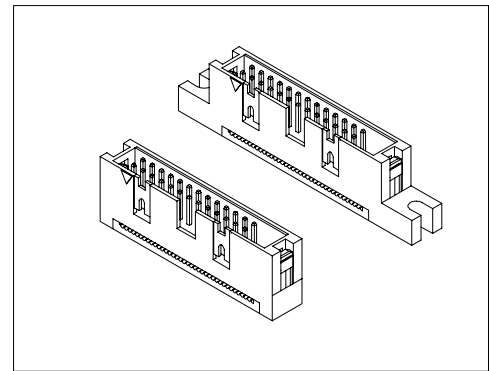
Specifications/技术参数:

Electrical/电气特性:

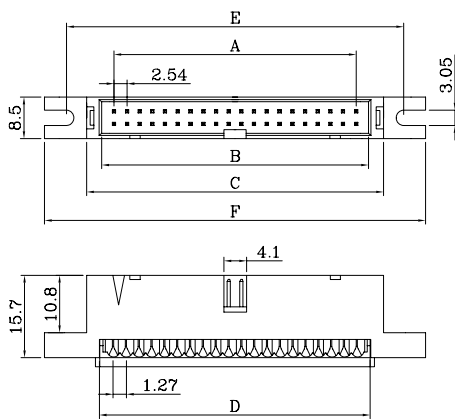
Current Rating (额定电流): 1A
 Withstand Voltage (耐压值): 500VAC for one minute
 Contact Resistance (接触电阻): 30mΩ max
 Insulation Resistance (绝缘电阻): 1000MΩ min
 Operating Temperature (工作温度): -55°C ~ +105°C

Physical/物理特性:

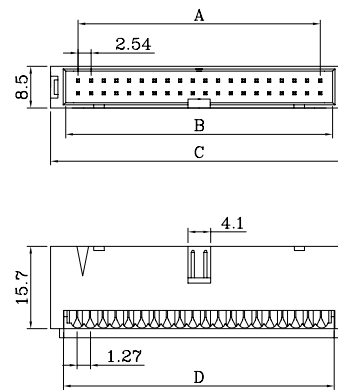
Insulator (塑胶本体): P.B.T +30% Glass Fiber
 Flammability Rating (防火等级): UL 94V-0
 Contacts (接触件): Phosphor Bronze or Brass
 Contacts plating (接触件电镀): Gold over Nickel or Tin



Dimension/尺寸: mm



With Mounting Ear/有耳



W/O Mounting Ear/无耳

Poles	Dim A	Dim B	Dim C	Dim D	Dim E	Dim F
10	10.16	18.03	21.23	15.30	28.39	36.68
14	15.24	23.11	26.31	20.38	33.47	41.76
16	17.78	25.65	28.85	22.92	36.01	44.30
20	22.86	30.73	33.93	28.00	41.09	49.38
24	27.94	35.81	39.01	33.08	46.17	54.46
26	30.48	38.35	41.55	35.60	48.71	57.00
30	35.56	43.43	46.63	40.70	53.79	62.08
34	40.64	48.51	51.71	45.78	58.87	67.16
40	48.26	56.13	59.33	53.40	66.49	74.78
50	60.96	68.83	72.03	66.10	79.19	87.48
60	73.66	81.53	84.73	78.80	91.89	100.18
64	78.73	86.61	89.81	83.88	96.97	105.26

Ordering Code/订购型号:

1 2 3 4
302F A - 40P - 4

1. Series No./系列号: 302F
2. Mount Type/安装类型:
 A = With Mounting Ear(有耳)
 B = W/O Mounting Ear(无耳)
3. Poles/位数: 10~64P
4. Color/胶体颜色:
 N/A(缺省) = Black(黑色)
 4 = Grey(灰色)