

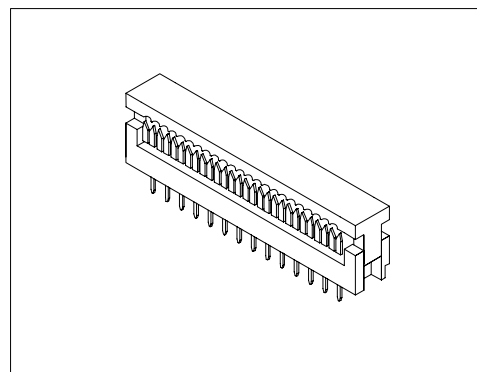
## Specifications/技术参数:

### Electrical/电气特性:

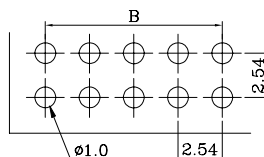
Current Rating (额定电流): 1A  
 Withstand Voltage (耐压值): 500VAC for one minute  
 Contact Resistance (接触电阻): 30mΩ max  
 Insulation Resistance (绝缘电阻): 1000MΩ min  
 Operating Temperature (工作温度): -55°C ~ +105°C

### Physical/物理特性:

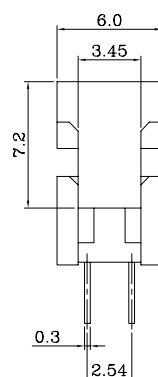
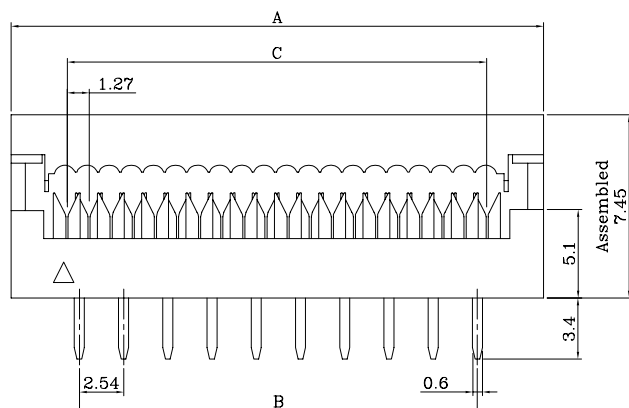
Insulator (塑胶本体): P.B.T +30% Glass Fiber  
 Flammability Rating (防火等级): UL 94V-0  
 Contacts (接触件): Phosphor Bronze or Brass  
 Contacts plating (接触件电镀): Gold over Nickel or Tin



## Dimension/尺寸: mm

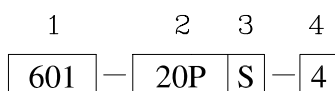


PCB Layout  
线路板布局图



| Poles | Dim A | Dim B | Dim C |
|-------|-------|-------|-------|
| 8     | 15.28 | 7.62  | 8.89  |
| 10    | 17.82 | 10.16 | 11.43 |
| 14    | 22.90 | 15.24 | 16.51 |
| 16    | 25.44 | 17.78 | 19.05 |
| 20    | 30.52 | 22.86 | 24.13 |
| 24    | 35.60 | 27.94 | 29.21 |
| 26    | 37.18 | 30.48 | 31.75 |
| 28    | 40.68 | 33.02 | 34.29 |
| 30    | 43.22 | 35.56 | 36.83 |
| 34    | 48.30 | 40.64 | 41.91 |
| 40    | 55.92 | 48.26 | 49.53 |
| 50    | 68.63 | 60.96 | 62.23 |
| 60    | 81.32 | 73.66 | 74.93 |
| 64    | 86.40 | 78.74 | 80.01 |

## Ordering Code/订购型号:



1. Series No./系列号: 601

2. Poles/位数: 8~64P

3. Contact Plating/接触件电镀:  
 S = Selective Gold(半金)  
 G = Gold Flash(全金)

4. Color/胶体颜色:

N/A(缺省) = Black (黑色)  
 4 = Grey(灰色)