

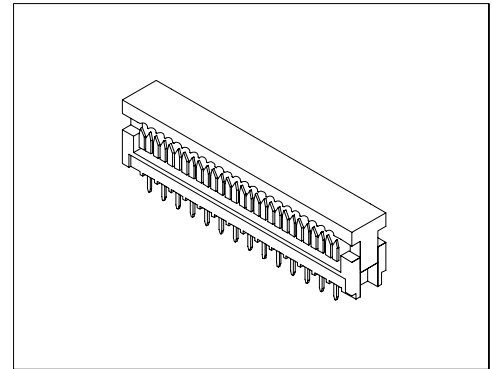
Specifications/技术参数:

Electrical/电气特性:

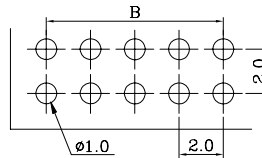
Current Rating (额定电流): 1A
 Withstand Voltage (耐压值): 500VAC for one minute
 Contact Resistance (接触电阻): 30mΩ max
 Insulation Resistance (绝缘电阻): 1000MΩ min
 Operating Temperature (工作温度): -55°C ~ +105°C

Physical/物理特性:

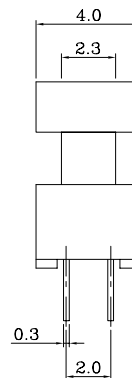
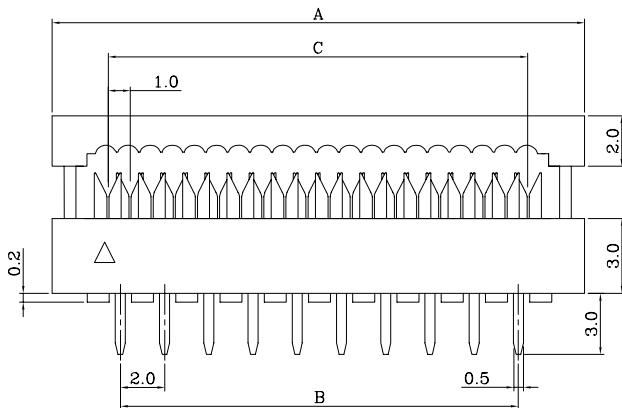
Insulator (塑胶本体): P.B.T +30% Glass Fiber
 Flammability Rating (防火等级): UL 94V-0
 Contacts (接触件): Phosphor Bronze or Brass
 Contacts plating (接触件电镀): Gold over Nickel or Tin



Dimension/尺寸: mm

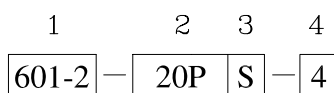


PCB Layout
线路板布局图



Poles	Dim A	Dim B	Dim C
10	14.3	8	9
12	16.3	10	11
16	20.3	14	15
20	24.3	18	19
24	28.3	22	23
26	30.3	24	25
30	34.3	28	29
34	38.3	32	33
40	44.3	38	39
44	48.3	42	43
50	54.3	48	49

Ordering Code/订购型号:



1. Series No./系列号: 601-2

2. Poles/位数: 10~50P

3. Contact Plating/接触件电镀:
 S = Selective Gold(半金)
 G = Gold Flash(全金)

4. Color/胶体颜色:

N/A(缺省) = Black (黑色)

4 = Grey(灰色)