

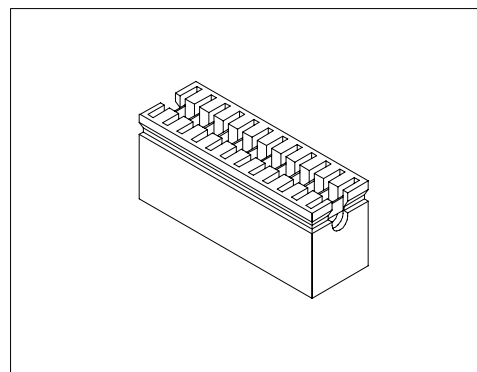
Specifications/技术参数:

Electrical/电气特性:

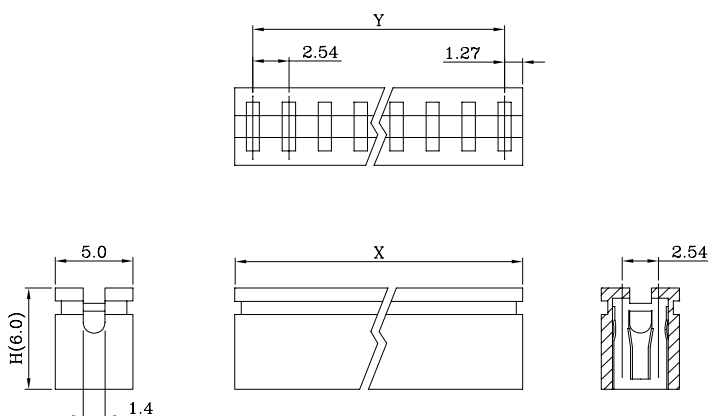
Current Rating (额定电流): 3A
 Withstand Voltage (耐压值): 500VAC for one minute
 Contact Resistance (接触电阻): 20mΩ max
 Insulation Resistance (绝缘电阻): 1000MΩ min
 Operating Temperature (工作温度): -40°C ~ +105°C

Physical/物理特性:

Insulator (塑胶本体): P.B.T +30% Glass Fiber
 Flammability Rating (防火等级): UL 94V-0
 Contacts (接触件): Phosphor Bronze or Brass
 Contacts plating (接触件电镀): Gold flash over Nickel

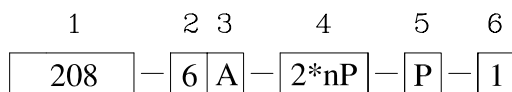


Dimension/尺寸: mm



Poles 位数	Dimension/尺寸	
	X	Y
2*02P	5.08	2.54
2*03P	7.62	5.08
2*04P	10.16	7.62
2*05P	12.70	10.16
2*06P	15.24	12.70
2*07P	17.78	15.24
2*08P	20.32	17.78
2*09P	22.86	20.32
2*10P	25.40	22.86

Ordering Code/订购型号:



1. Series No./系列号:
208

2. Dimension/尺寸: H

3. Type/类型:

A = Openned Cover(开口型)
 B = Closed Cover(闭口型)

4. Poles/位数:

2*02P ~ 2*10P

5. Contacts/接触件:

P = Phosphor Bronze(磷青铜)
 N/A = Brass(黄铜)

6. Color/胶体颜色:

1 = White(白) 2 = Blue(蓝)
 4 = Green(绿) 5 = Red(红)

6 = Yellow(黄) N/A(缺省) = Black(黑)