

# 57BR SERIES Centronic Connector Right Angle Type

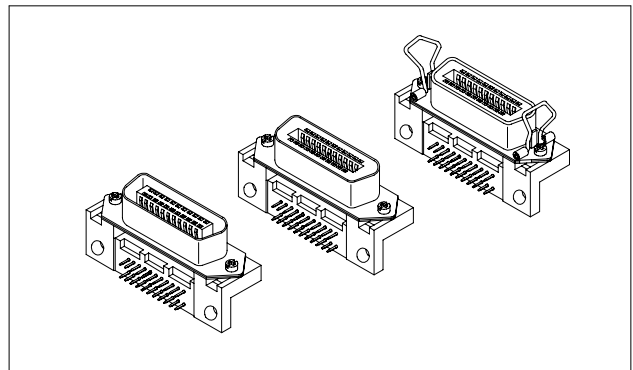
## Specifications/技术参数:

### Electrical/电气特性:

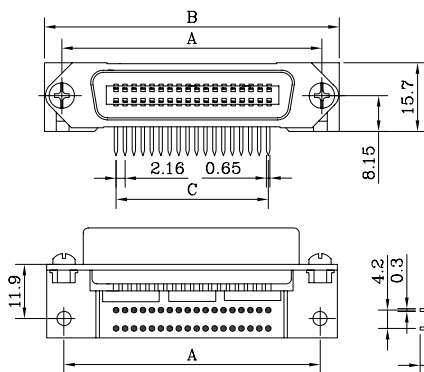
Current Rating (额定电流): 3A  
 Withstand Voltage (耐压值): 1000VAC for one minute  
 Contact Resistance (接触电阻): 25mΩ max  
 Insulation Resistance (绝缘电阻): 5000MΩ min  
 Operating Temperature (工作温度): -40°C ~ +105°C

### Physical/物理特性:

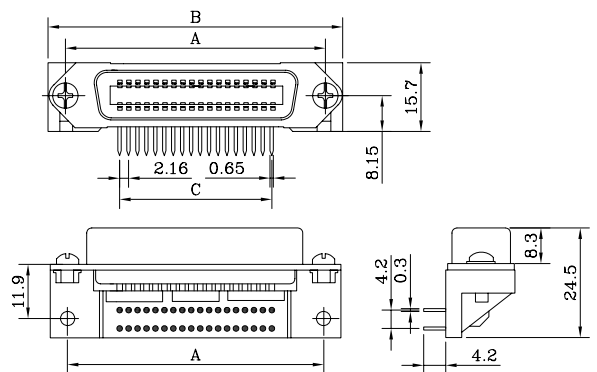
Insulator (塑胶本体): Glass Filled Polyester  
 Flammability Rating (防火等级): UL 94V-0  
 Contacts (接触件): Copper alloy  
 Contacts plating (接触件电镀): Selective gold plating on surface contact area



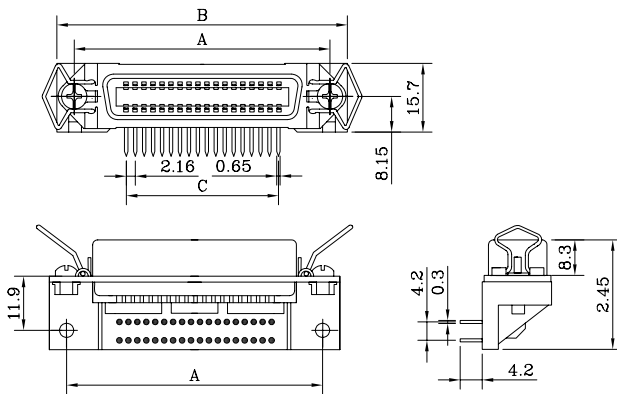
## Dimension/尺寸: mm



57BR-10 系列



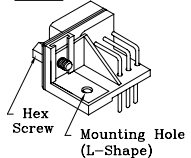
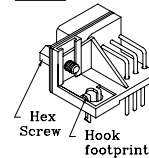
57BR-20 系列



57BR-40 系列

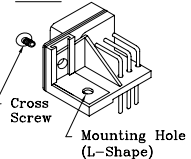
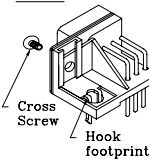
CBH: 前锁六角螺柱, 后鱼叉

CBL: 前锁六角螺柱, 后L片

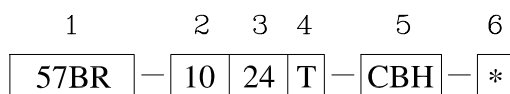


CSH: 前锁螺钉, 后鱼叉

CSL: 前锁螺钉, 后L片



## Ordering Code/订购型号:



1. Series No./系列号:  
57BR

2. Contacts type/接触件类型:  
10 = Male(公头)  
20, 40 = Female(母头)

3. Poles/位数:  
14, 24, 36, 50

4. Port Type/端口类型:  
T = Traditional Type(传统式)  
S = Simple Type(简易式)

5. Mounting options/安装选项:  
CBH = Riveted ground hooks pre-loaded #4-40UNC Hex screws  
CSH = Riveted ground hooks pre-loaded #4-40UNC Cross screws  
CBL = Riveted ground L-Shape pre-loaded #4-40UNC Hex screws  
CSL = Riveted ground L-Shape pre-loaded #4-40UNC Cross screws

6. Insulator color/胶体颜色:  
Default(缺省) = Blue(蓝色)  
3 = Black(黑色)

Poles	Dim A	Dim B	Dim C
14	36.0	43.9	12.96
24	46.8	54.7	23.76
36	59.7	67.7	36.72
50	74.9	82.8	51.84