

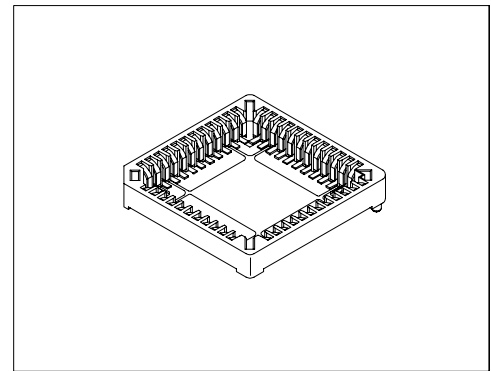
## Specifications/技术参数:

### Electrical/电气特性:

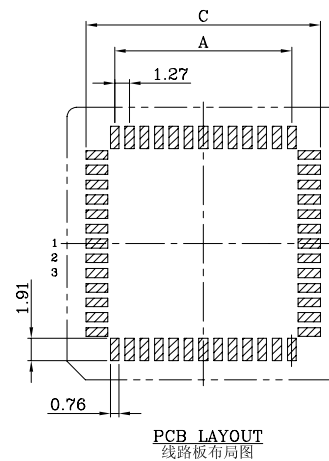
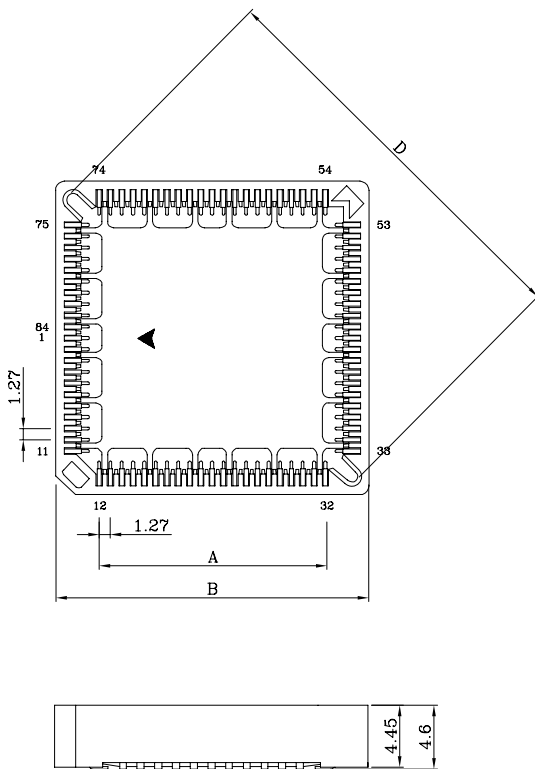
Current Rating (额定电流): 1A  
 Withstand Voltage (耐压值): 1000VAC for one minute  
 Contact Resistance (接触电阻): 30mΩ max  
 Insulation Resistance (绝缘电阻): 1000MΩ min  
 Operating Temperature (工作温度): -40°C ~ +105°C

### Physical/物理特性:

Insulator (塑胶本体): Glass filled thermoplastic PPS  
 Flammability Rating (防火等级): UL 94V-0  
 Contacts (接触件): Phosphor Bronze  
 Contacts plating (接触件电镀): Gold over Nickel or Tin



## Dimension/尺寸: mm



Poles 位数	Part No 产品型号	Dimensions/尺寸			
		A	B	C	D
20	503SMT-20PT	5.08	15.66	10.03	17.28
28	503SMT-28PT	7.62	18.20	12.57	20.87
32	503SMT-32PT	10.16	20.70	15.11	22.80
44	503SMT-44PT	12.70	23.28	17.65	28.10
52	503SMT-52PT	15.24	25.82	20.19	31.65
68	503SMT-68PT	20.32	30.90	25.27	38.85
84	503SMT-84PT	25.40	35.98	30.35	46.50

## Ordering Code/订购型号:



1. Series No./系列号: 503SMT

2. Poles/位数:

See above table (看上表)

3. Contact plating/接触件电镀:

T = Tin (镀锡)

S = Selective Gold (半金)

G = Gold Flash (全金)