

# 6101-1 SERIES 1.778mm Pin Connectors

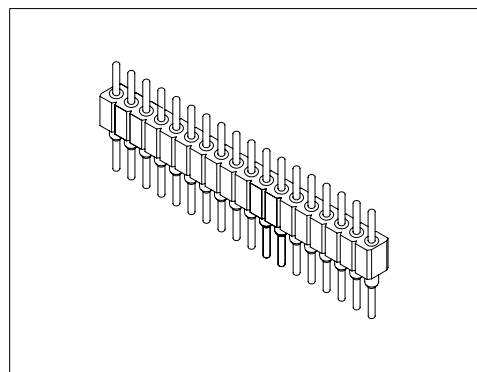
## Specifications/技术参数:

### Electrical/电气特性:

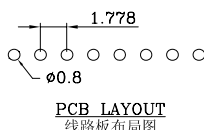
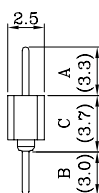
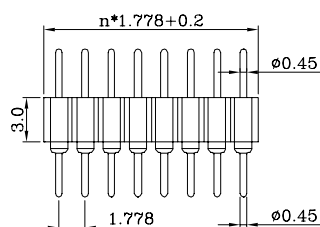
Current Rating (额定电流): 1A  
 Withstand Voltage (耐压值): 1000VAC for one minute  
 Contact Resistance (接触电阻): 10mΩ max  
 Insulation Resistance (绝缘电阻): 1000MΩ min  
 Operating Temperature (工作温度): -55°C ~ +125°C

### Physical/物理特性:

Insulator (塑胶本体): PPS  
 Flammability Rating (防火等级): UL 94V-0  
 Contacts (接触件): Brass  
 Pin Diameter (圆针直径):  $\phi 0.45$   
 Mechanical life (机械寿命): 500 cycles min



## Dimension/尺寸: mm



### 6101-1S-1\*nPG-3.3/3.7/3.0

Straight pin connector: single row  
 单排直针连接器  
 Pitch/间距: 1.778mm  
 Poles/位数: 2 to 32 contacts  
 Standard number of contacts/常用芯数:  
 21 and 32

## Ordering Code/订购型号:

1	2	3	4	5	6
6101-1	S	1* nP	G	A/C/B	H

1. Series No./系列号: 6101-1

2. PCB Mount Type/安装类型:

S = Straight(直插)

3. Poles/位数: 1\*2P~32P

4. Contact Plating/接触件电镀:

S = Selective Gold(半金)

G = Gold Flash(全金)

5. Dimension/尺寸: A/C/B