

5222 SERIES Modular Jack Top Entry Dip Type

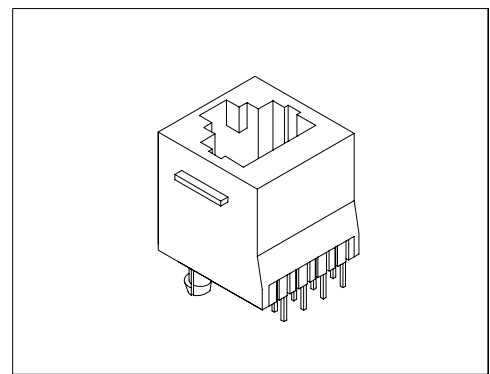
Specifications/技术参数:

Electrical/电气特性:

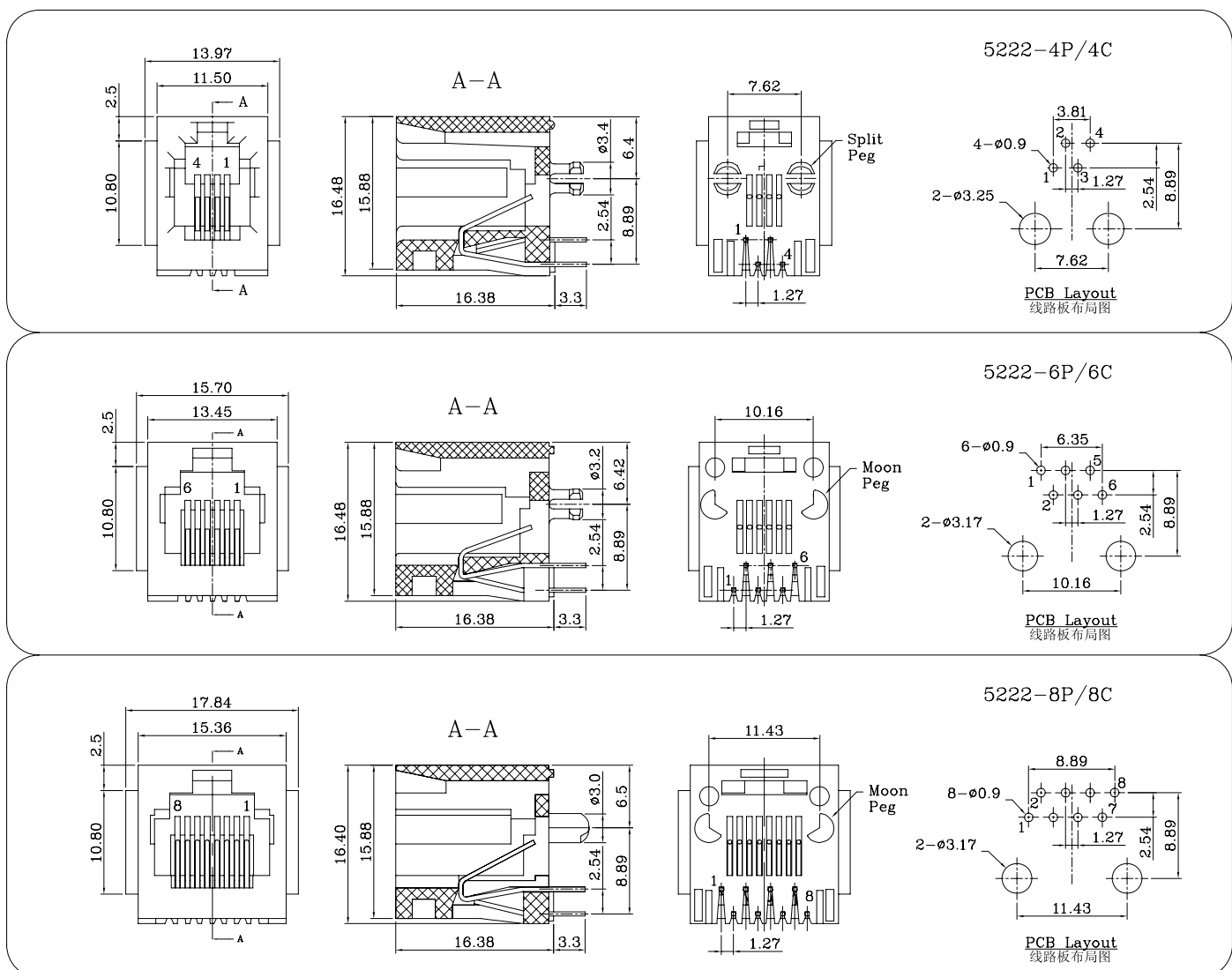
Current Rating(额定电流): 1.5A
 Withstand Voltage(耐压值): 1000VAC for one minute
 Contact Resistance(接触电阻): 35mΩ max
 Insulation Resistance(绝缘电阻): 1000MΩ min
 Operating Temperature(工作温度): -40°C ~ +85°C

Physical/物理特性:

Insulator(塑胶本体): P.B.T
 Flammability Rating(防火等级): UL 94V-0
 Contacts(接触件): Phosphor Bronze
 Contacts plating(接触件电镀): Gold Plating over Nickel



Dimension/尺寸: mm



Ordering Code/订购型号:

1 2 3 4

5222 — 6P / 6C — *

1. Series No./系列号: 5222
2. Slot Number/槽数: 4P, 6P, 8P
3. Contacts Number/芯数: 2C, 4C, 6C, 8C
4. Color/胶体颜色: N/A(缺省) = Black(黑色)