

5224 SERIES Modular Jack Top Entry Dip Type

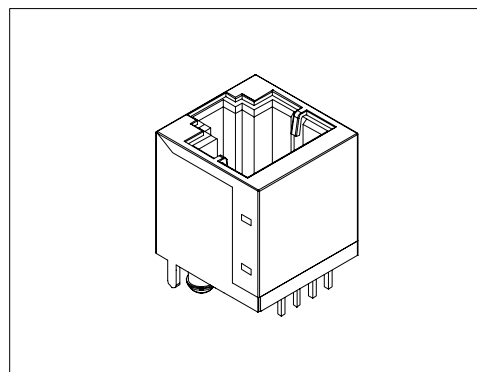
Specifications/技术参数:

Electrical/电气特性:

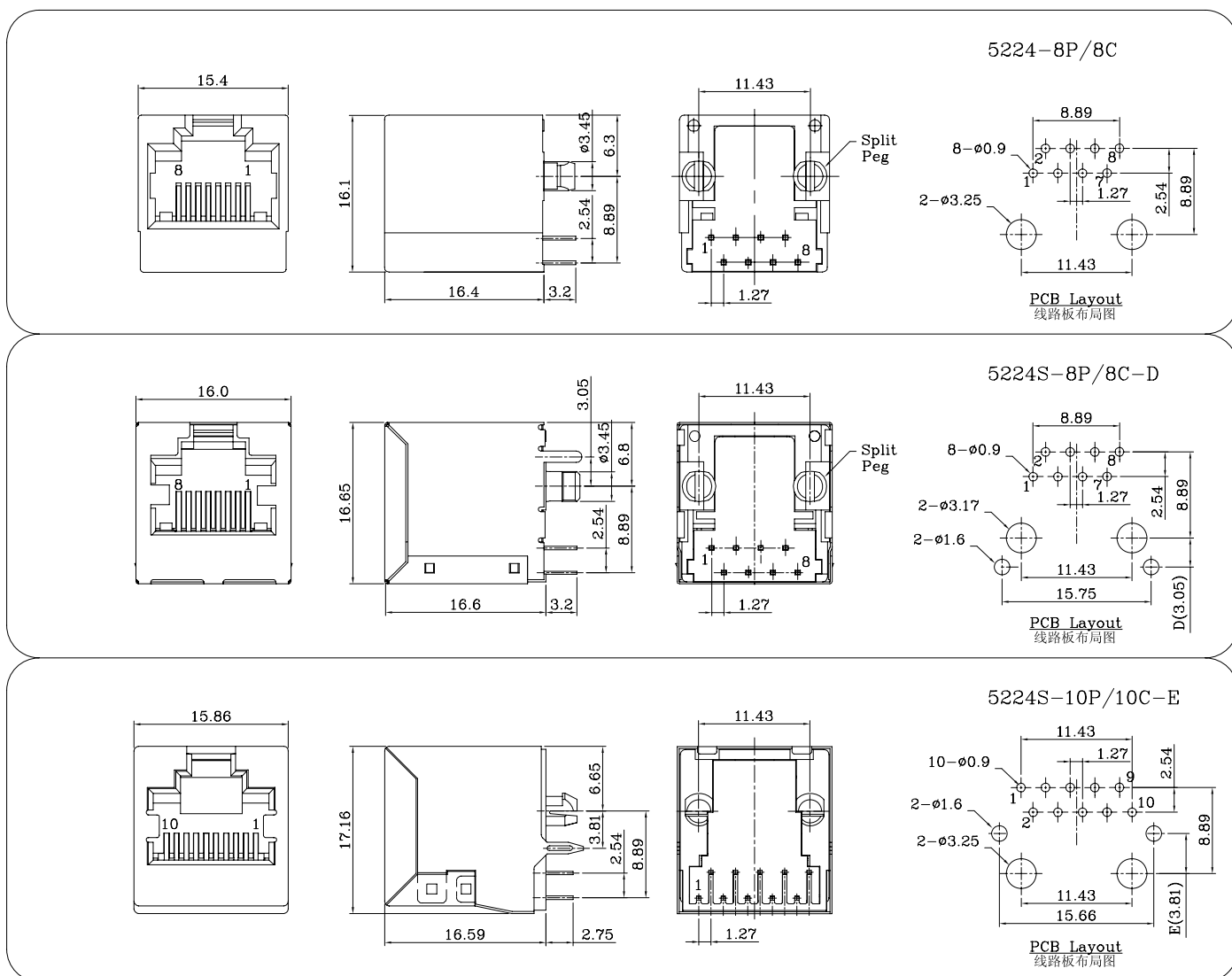
Current Rating(额定电流): 1.5A
 Withstand Voltage(耐压值): 1000VAC for one minute
 Contact Resistance(接触电阻): 35mΩ max
 Insulation Resistance(绝缘电阻): 1000MΩ min
 Operating Temperature(工作温度): -40°C ~ +85°C

Physical/物理特性:

Insulator(塑胶本体): P.B.T
 Flammability Rating(防火等级): UL 94V-0
 Contacts(接触件): Phosphor Bronze
 Contacts plating(接触件电镀): Gold Plating over Nickel



Dimension/尺寸: mm



Ordering Code/订购型号:

- Series No./系列号: 5224
- Shield: S = With Shield(带屏蔽)
N/A(缺省) = W/O Shield(不带屏蔽)
- Slot Number/槽数: 8P, 10P
- Contacts Number/芯数: 4C, 6C, 8C, 10C

1 2 3 4 5

5224 S - 8P / 8C - *

5. Options/选项:

- A = 脚前 4.57mm, C = 脚后 3.05mm.
 B = 脚前 3.68mm, D = 脚前 3.05mm.
 E = 脚后 3.81mm.