

5521 SERIES Modular Jack Side Entry Dip Type

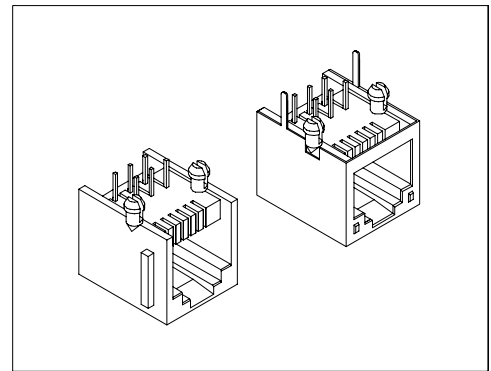
Specifications/技术参数:

Electrical/电气特性:

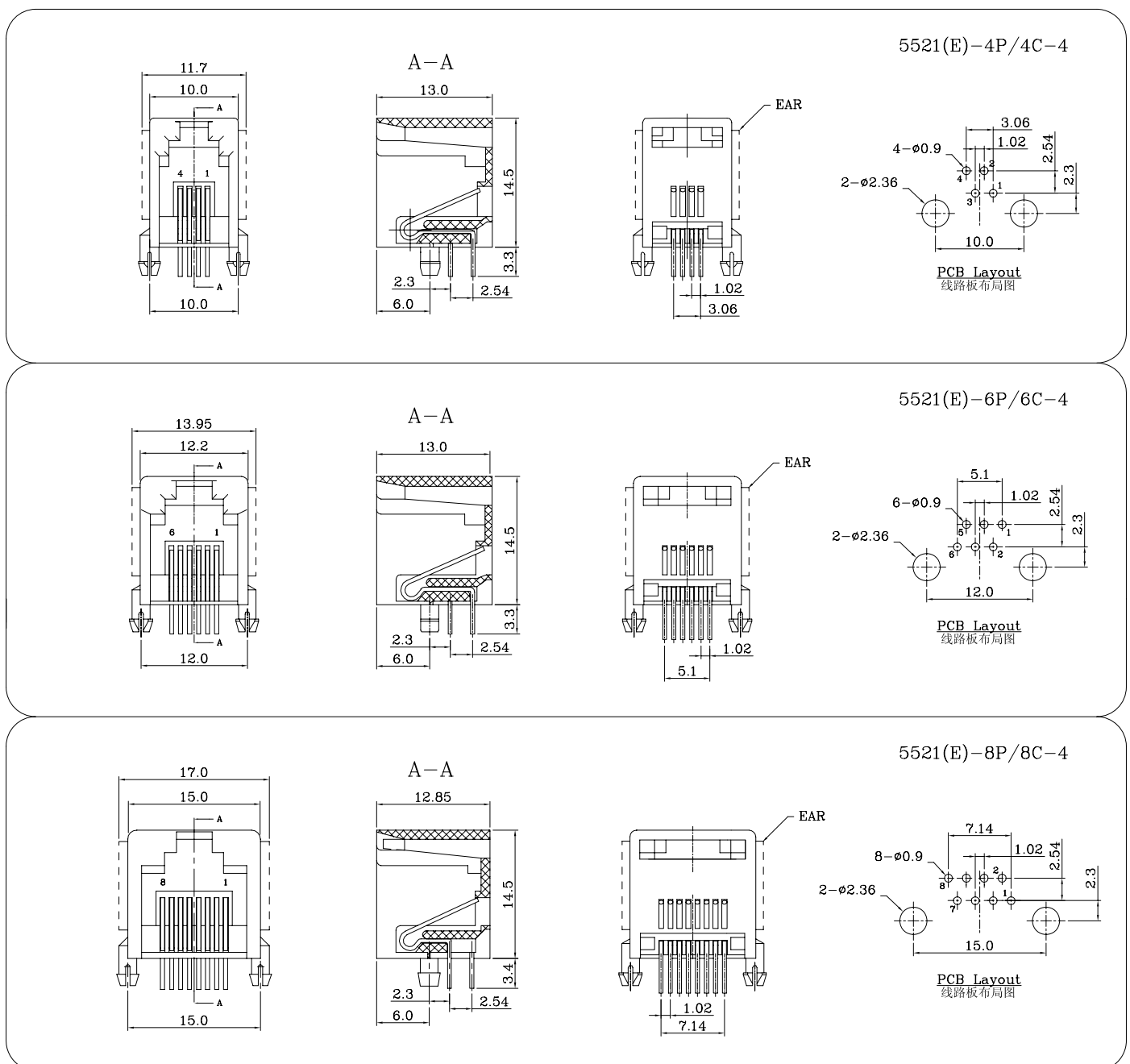
Current Rating (额定电流): 1.5A
 Withstand Voltage (耐压值): 1000VAC for one minute
 Contact Resistance (接触电阻): 35mΩ max
 Insulation Resistance (绝缘电阻): 1000MΩ min
 Operating Temperature (工作温度): -40°C ~ +85°C

Physical/物理特性:

Insulator (塑胶本体): P.B.T
 Flammability Rating (防火等级): UL 94V-0
 Contacts (接触件): Phosphor Bronze
 Contacts plating (接触件电镀): Gold Plating over Nickel

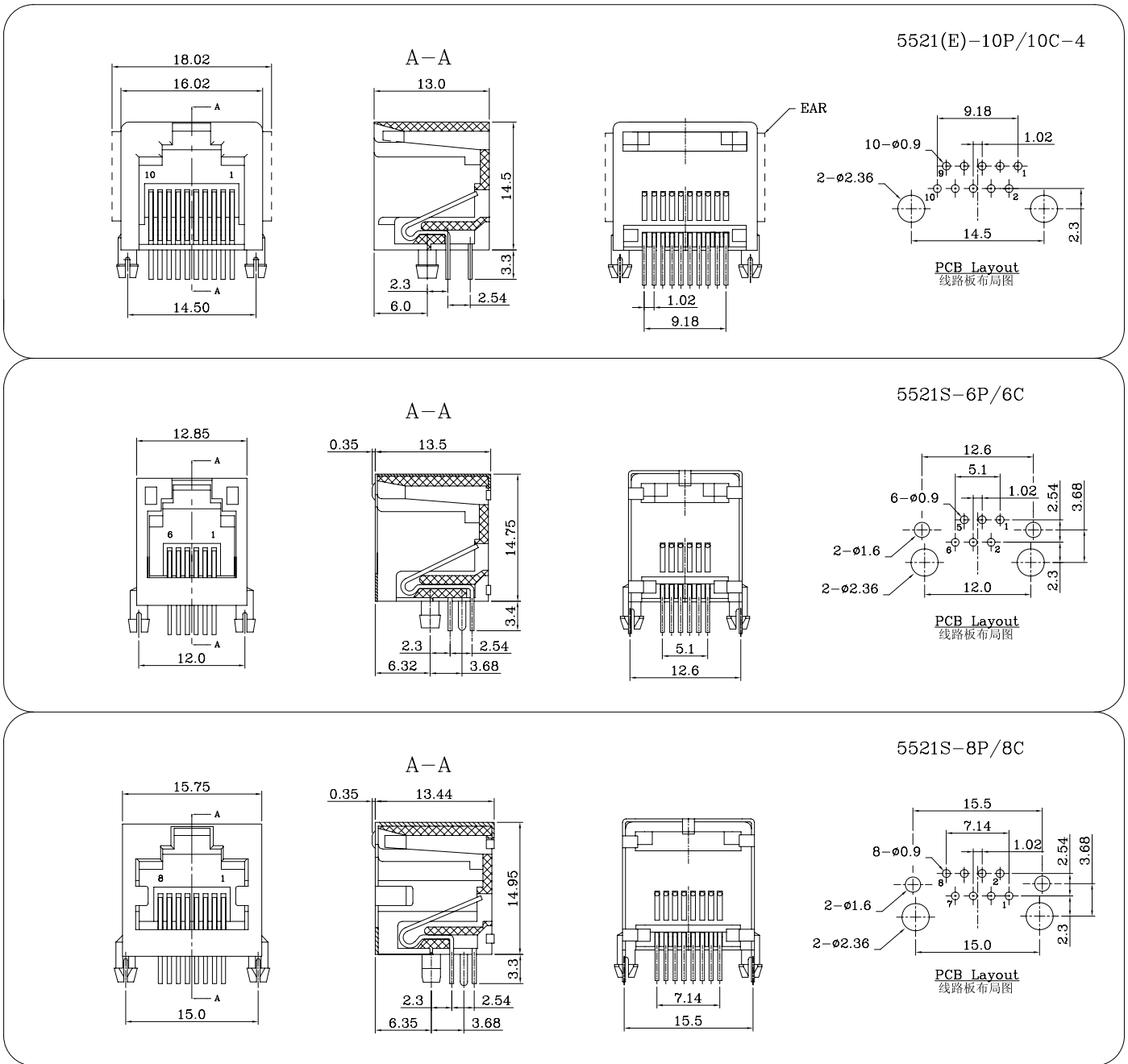


Dimension/尺寸: mm

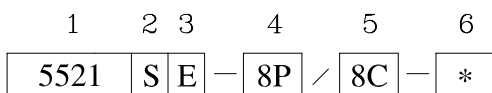


5521 SERIES Modular Jack Side Entry Dip Type

Dimension: mm



Ordering Code/订购型号:



1. Series No./系列号: 5521

2. Shield Options/屏蔽层选项:

- S = Shield(全屏蔽)
- SH = Half the Shield(半屏蔽)
- N/A(缺省) = W/O Shield(不带屏蔽)

3. Options/选项:

- E = With Ear(带耳)
- N/A(缺省) = W/O Ear(无耳)

4. Slot Number/槽数: 4P, 6P, 8P, 10P

5. Contacts Number/芯数: 2P, 4C, 6C, 8C, 10P

6. Color/胶体颜色:

- N/A(缺省) = Black(黑色)
- 4 = Grey(灰色)