

5621 SERIES Modular Jack Side Entry Dip Type

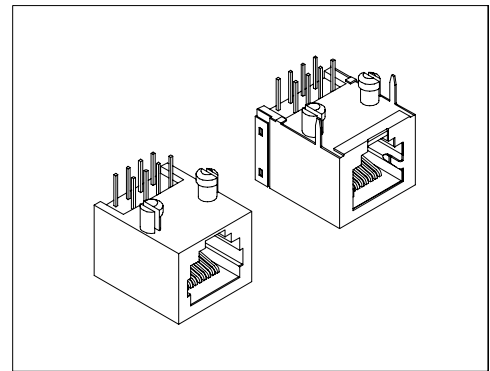
Specifications/技术参数:

Electrical/电气特性:

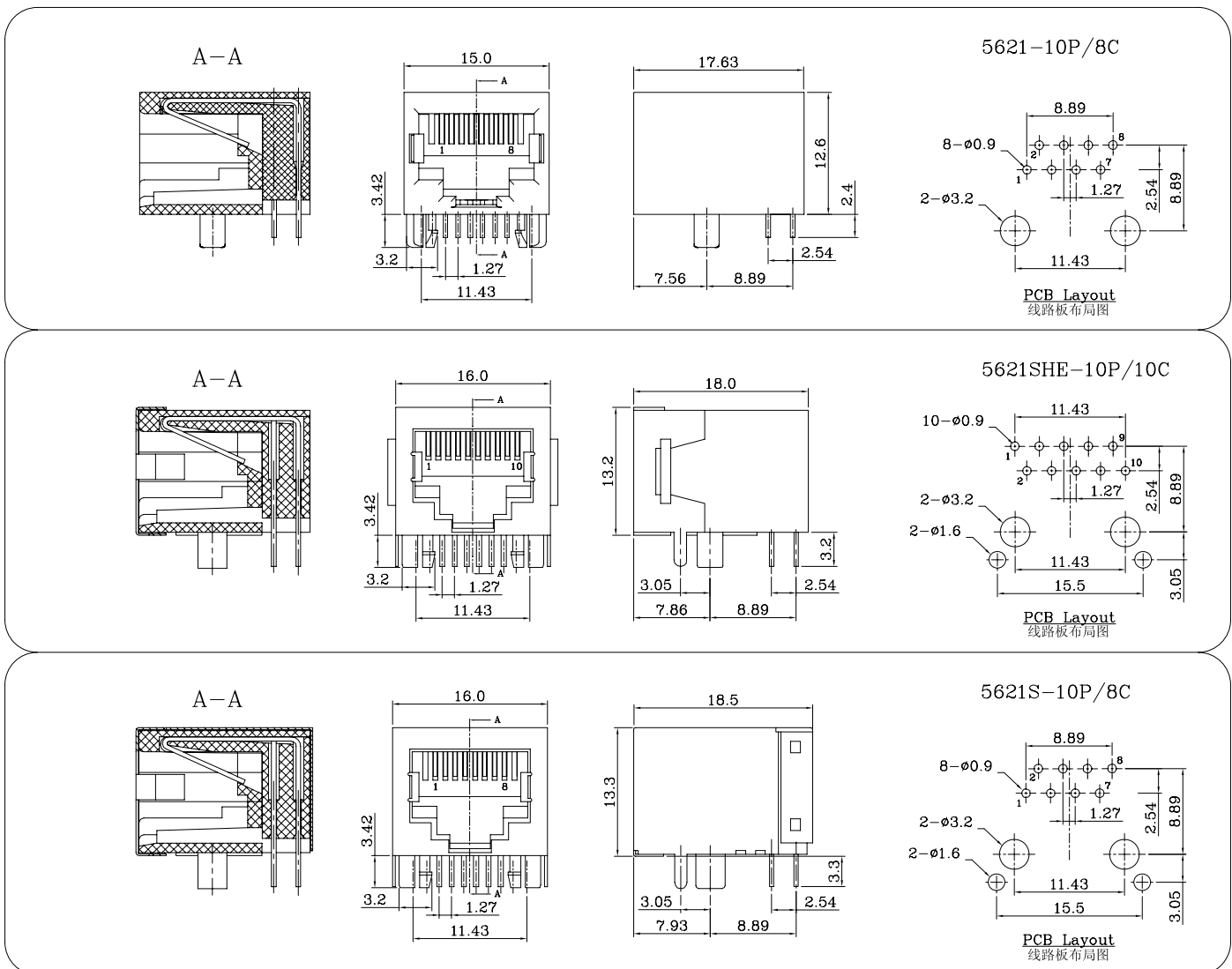
Current Rating(额定电流): 1.5A
 Withstand Voltage(耐压值): 1000VAC for one minute
 Contact Resistance(接触电阻): 35mΩ max
 Insulation Resistance(绝缘电阻): 1000MΩ min
 Operating Temperature(工作温度): -40°C ~ +85°C

Physical/物理特性:

Insulator(塑胶本体): P.B.T
 Flammability Rating(防火等级): UL 94V-0
 Contacts(接触件): Phosphor Bronze
 Contacts plating(接触件电镀): Gold Plating over Nickel



Dimension/尺寸: mm



Ordering Code/订购型号:

1. Series No./系列号: 5621
2. Shield Options/屏蔽层选项:
 - S = Shield(全屏蔽)
 - SH = Half the Shield(半屏蔽)
 - N/A(缺省) = W/O Shield(不带屏蔽)

1 2 3 4 5

5621	S	E	-	10P	/	8C
------	---	---	---	-----	---	----

3. Options/选项: N/A(缺省)=W/O Ear(无耳), E=With Ear(带耳)
4. Slot Number/槽数: 10P
5. Contacts Number/芯数: 8C, 10C