

# 5721 SERIES Modular Jack Side Entry Dip Type

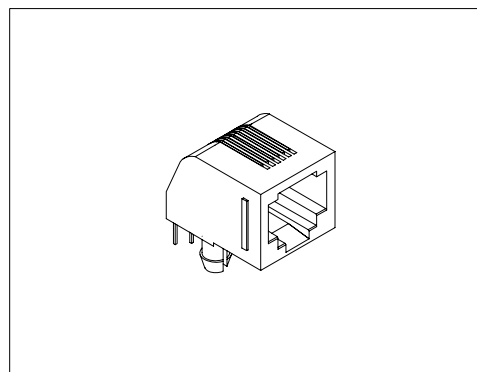
## Specifications/技术参数:

### Electrical/电气特性:

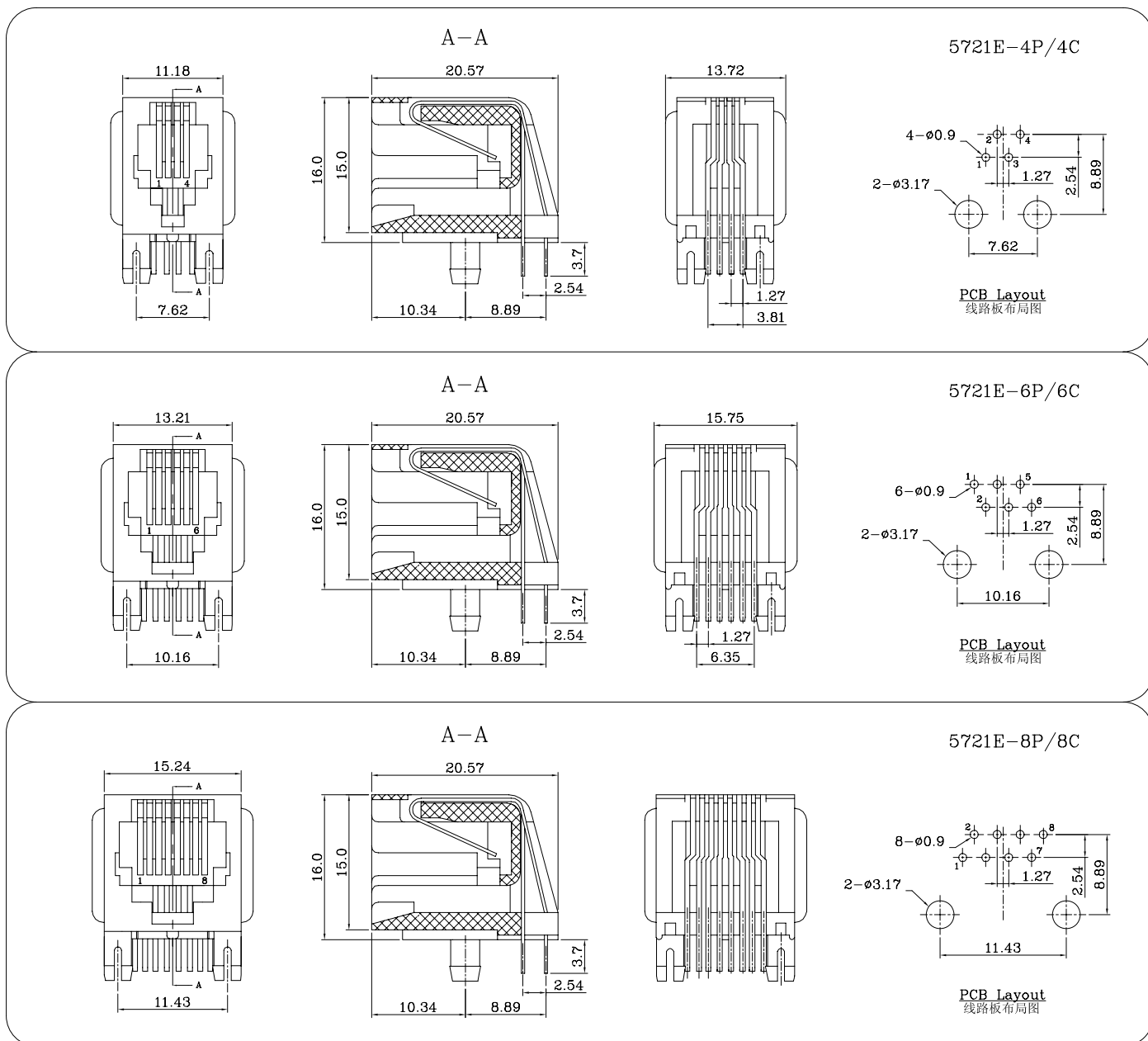
Current Rating(额定电流): 1.5A  
 Withstand Voltage(耐压值): 1000VAC for one minute  
 Contact Resistance(接触电阻): 35mΩ max  
 Insulation Resistance(绝缘电阻): 1000MΩ min  
 Operating Temperature(工作温度): -40°C ~ +85°C

### Physical/物理特性:

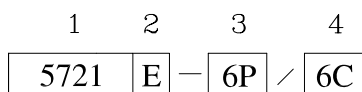
Insulator(塑胶本体): P.B.T  
 Flammability Rating(防火等级): UL 94V-0  
 Contacts(接触件): Phosphor Bronze  
 Contacts plating(接触件电镀): Gold Plating over Nickel



## Dimension/尺寸: mm



## Ordering Code/订购型号:



1. Series No./系列号: 5721

2. Options/选项: E = With Ear(带耳)

3. Slot Number/槽数: 4P, 6P, 8P

4. Contacts Number/芯数: 4C, 6C, 8C