

5921 SERIES Modular Jack Side Entry Dip Type

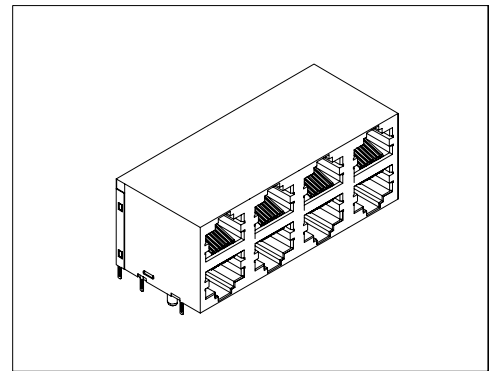
Specifications/技术参数:

Electrical/电气特性:

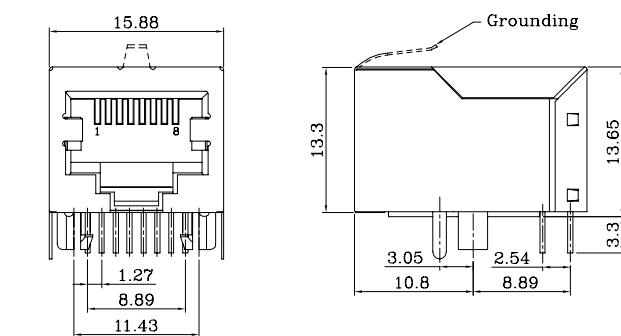
Current Rating(额定电流): 1.5A
 Withstand Voltage(耐压值): 1000VAC for one minute
 Contact Resistance(接触电阻): 35mΩ max
 Insulation Resistance(绝缘电阻): 1000MΩ min
 Operating Temperature(工作温度): -40°C ~ +85°C

Physical/物理特性:

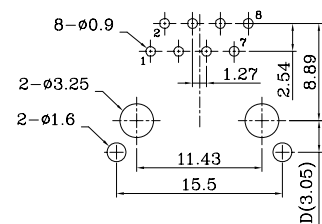
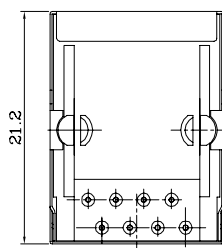
Insulator(塑胶本体): P.B.T
 Flammability Rating(防火等级): UL 94V-0
 Contacts(接触件): Phosphor Bronze
 Contacts plating(接触件电镀): Gold Plating over Nickel



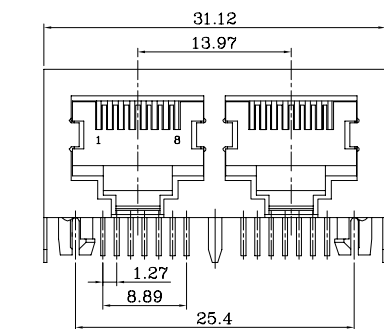
Dimension/尺寸: mm



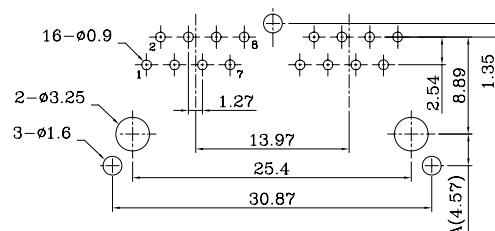
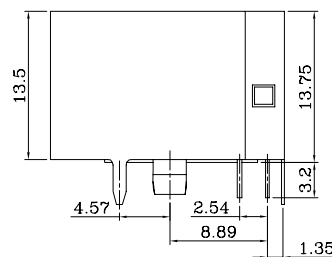
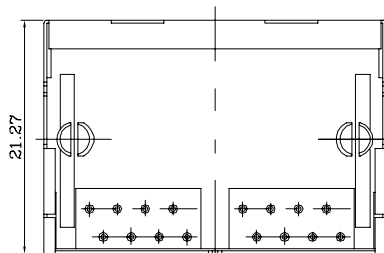
5921SG-8P/8C-D



PCB Layout
线路板布局图



5921S-8P/8C-1*02P-A

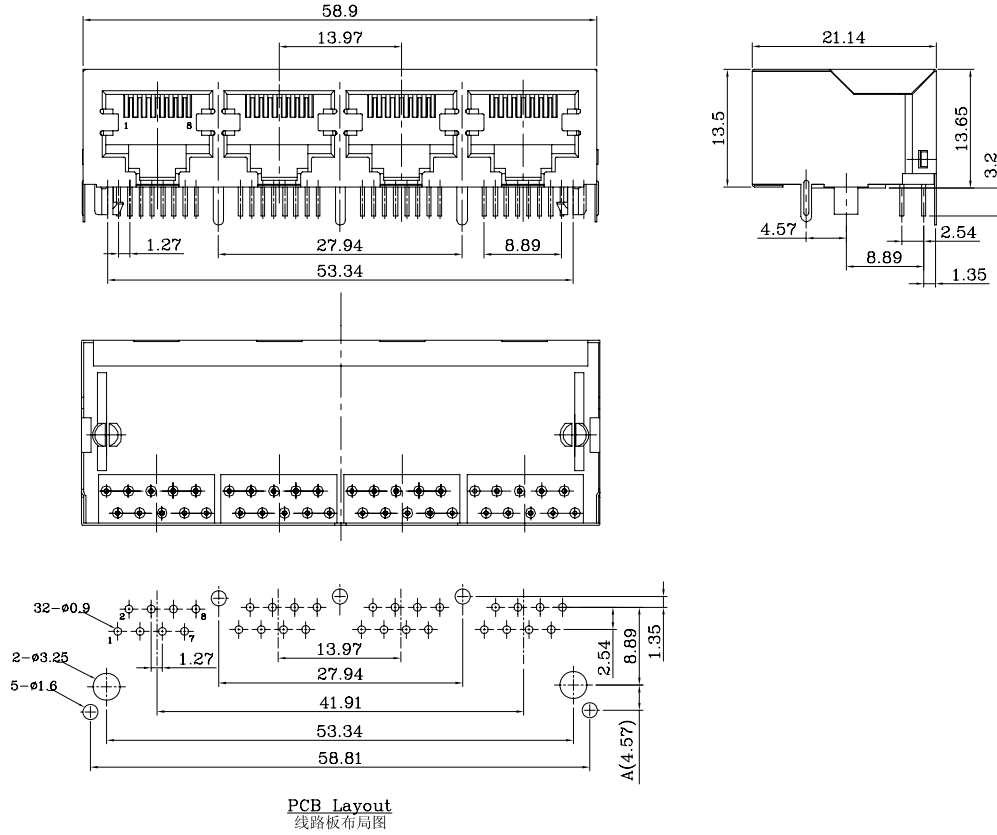


PCB Layout
线路板布局图

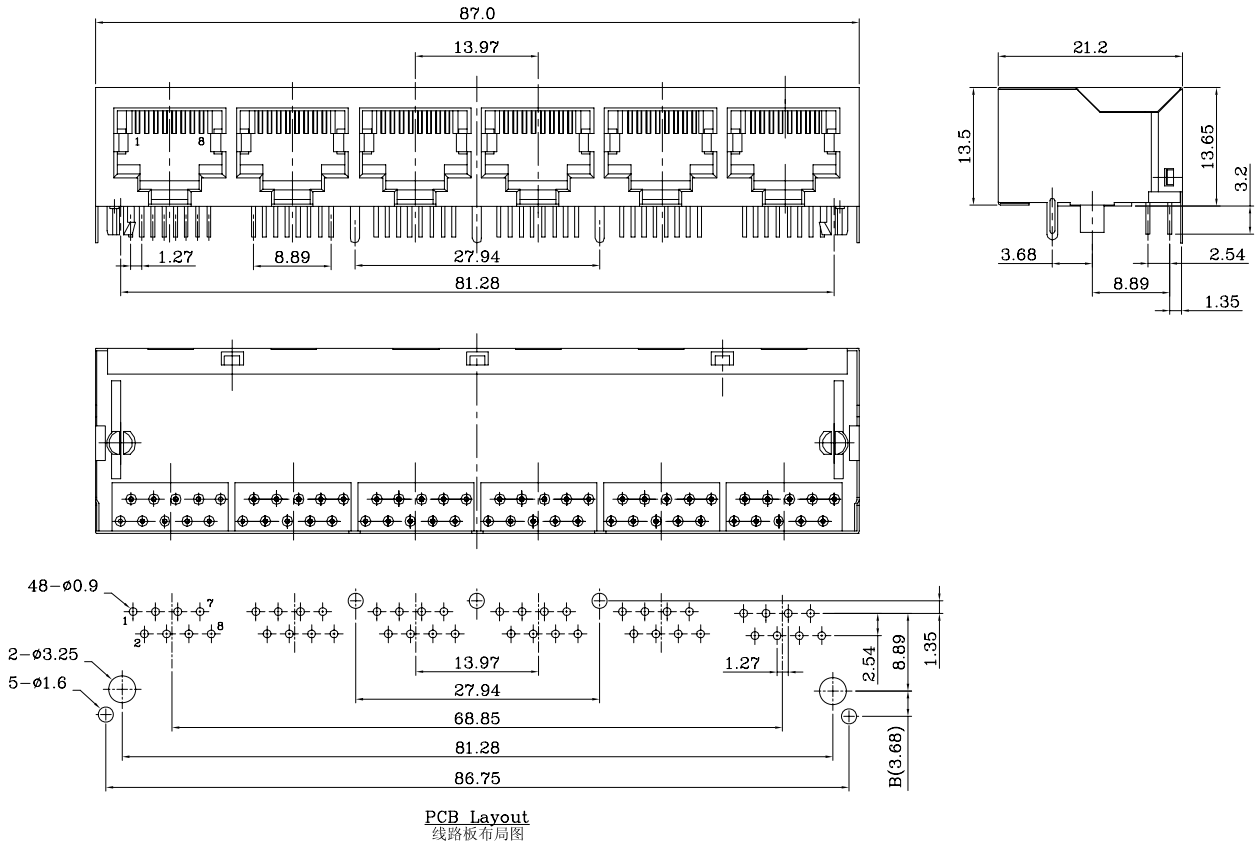
5921 SERIES Modular Jack Side Entry Dip Type

Dimension/尺寸: mm

5921S-8P/8C-1*04P-A



5921S-8P/8C-1*06P-B

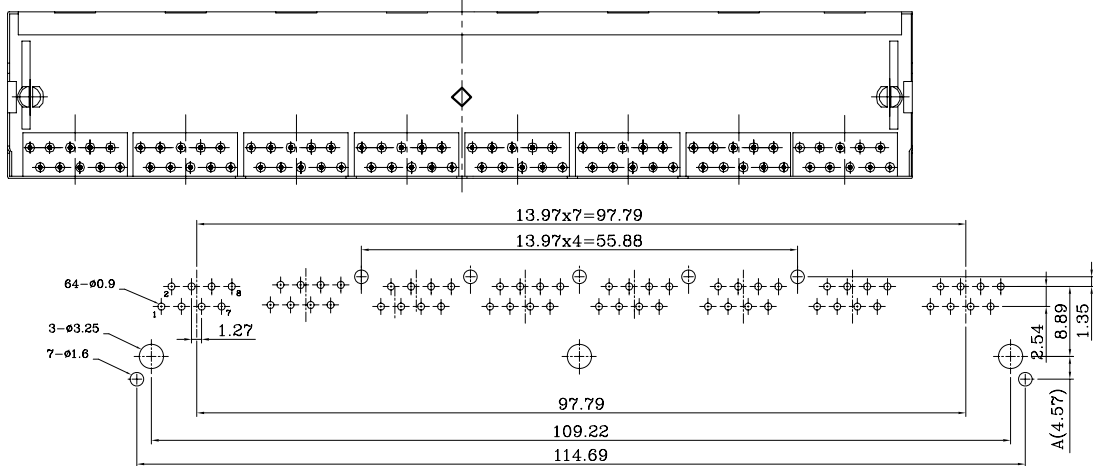
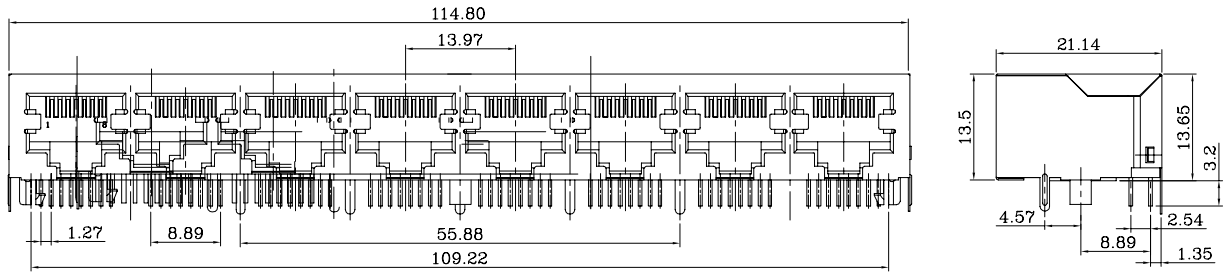




5921 SERIES Modular Jack Side Entry Dip Type

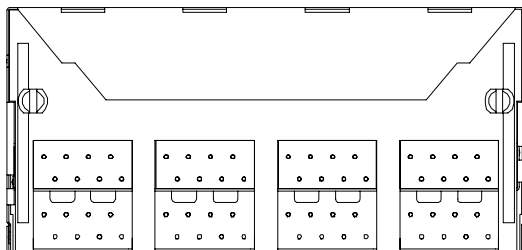
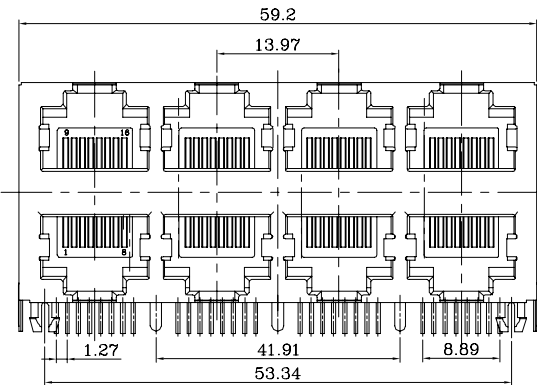
Dimension/尺寸: mm

5921S-8P/8C-1*08P-A

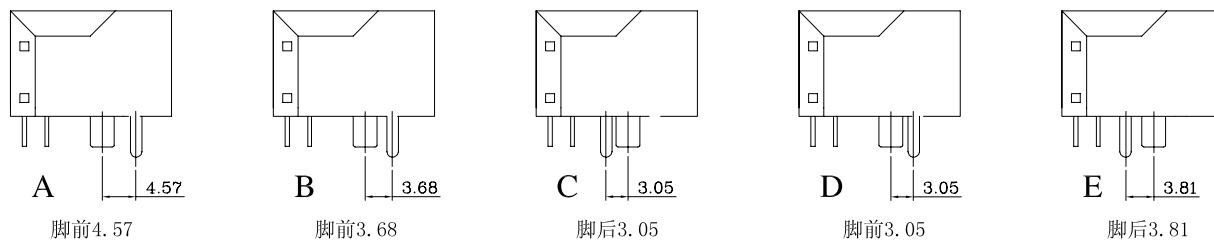


PCB Layout
线路板布局图

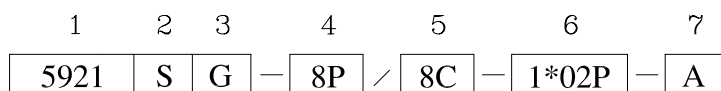
5921S-8P/8C-2*04P-A



PCB Layout
线路板布局图



Ordering Code/订购型号:



1. Series No./系列号: 5921

2. Shield Options/屏蔽层选项:

S = Shield(全屏蔽)

3. EMI Options/选项:

G = With Grounding(带接地弹片)

N/A(缺省) = W/O Grounding(无接地弹片)

4. Slot Number/槽数: 8P

5. Contacts Number/芯数: 8C

6. Port Number/接口数量:

N/A(缺省) = 1 Port(单口)

1*02P = 2 Ports(二口)

1*04P = 4 Ports(四口)

1*06P = 6 Ports(六口)

1*08P = 8 Ports(八口)

2*04P = 8 Ports(八口)

7. Options/选项:

A = Feet Before 4.57mm(脚前 4.57mm)

B = Feet Before 3.68mm(脚前 3.68mm)

C = Feet Behind 3.05mm(脚后 3.05mm)

D = Feet Before 3.05mm(脚前 3.05mm)

E = Feet Behind 3.81mm(脚后 3.81mm)