

# 8200 SERIES Din Jack PCB Type

## Specifications/技术参数:

### Electrical/电气特性:

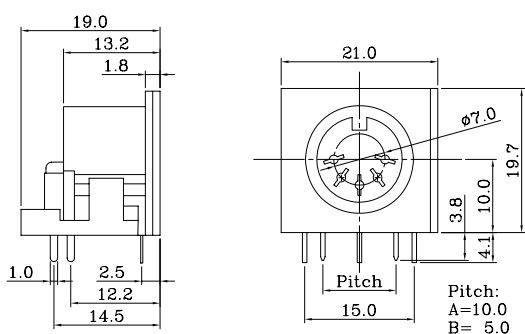
Current Rating(额定电流): 2A  
 Withstand Voltage(耐压值): 500VAC for one minute  
 Contact Resistance(接触电阻): 30mΩ max  
 Insulation Resistance(绝缘电阻): 100MΩ min. at DC 500V  
 Operating Temperature(工作温度): -25°C ~ +70°C

### Physical/物理特性:

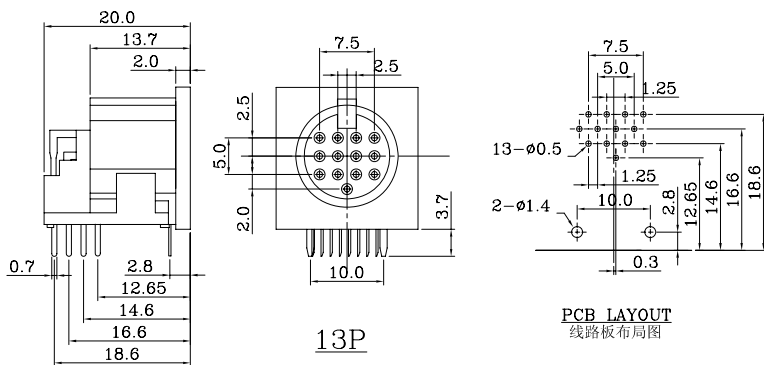
Insulator(塑胶本体): Thermoplastic Polyester Glass Filled  
 Flammability Rating(防火等级): UL 94V-0  
 Contacts(接触件): Copper Alloy, Tin Plated  
 Ground Lug(接地片): Copper Alloy, Tin Plated



## Dimension/尺寸: mm



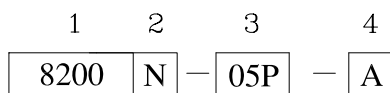
3P, 4P, 5P, 6P, 7P, 8P



13P

PCB LAYOUT  
线路板布局图

## Ordering Code/订购型号:



1. Series No./系列号: 8200
2. Insulator/胶体: N = W/O shielded(不带屏蔽)
3. Poles/位数: 3P, 4P, 5P, 6P, 8P, 13P
4. Pitch/间距: A = 10.0; B = 5.0

