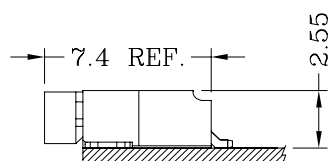


Assembly Layout/装配方案



SMR-Type/卧贴型

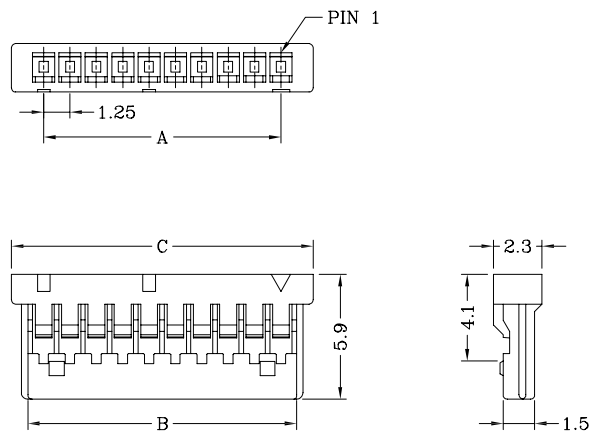
Specifications/技术参数:

Poles/位数	2~30 Poles
Pitch between poles/间距	1.25mm
Rated Voltage/额定电压	150V AV,DC
Rated Current/额定电流	1A (AWG #28)
Withstand Voltage/耐压值	500V AC/minute
Contact Resistance/接触电阻	30mΩ (MAX.)
Insulation Resistance/绝缘电阻	500MΩ (MIN.)
Temperature Range/温度范围	-35°C ~ +85°C
Applicable Wire Range/适用线径	AWG #28~#32

DF14 SERIES 1.25mm Pitch Crimp Terminal Socket

Features/产品特性:

- * Single Row Terminal Socket(单排端子塑壳)
- * Material(材质): Nylon 66 UL 94V-0
- * Suitable for DF14 series terminal(适用于DF14系列端子)

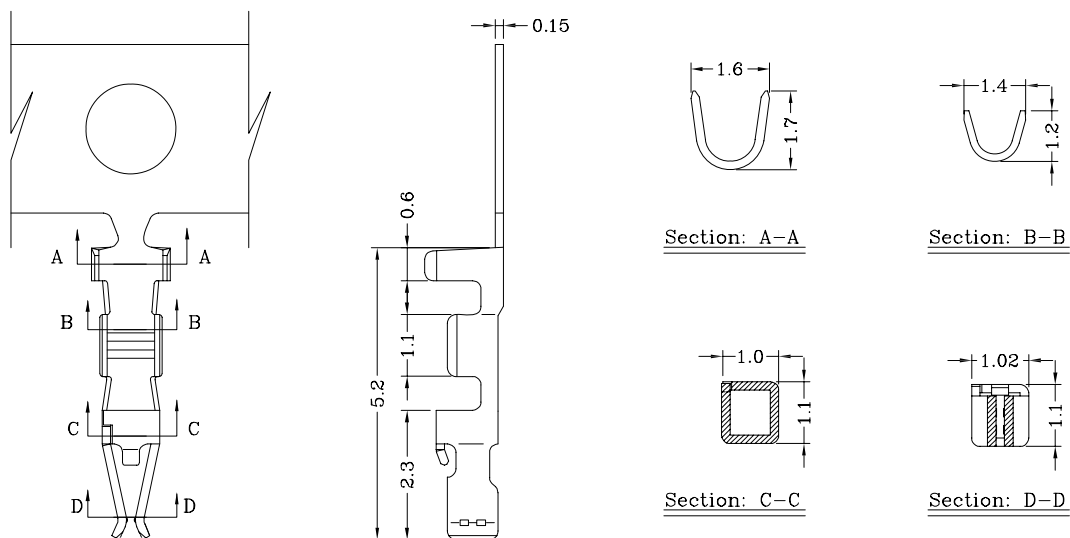


Poles 位数	Part No. 产品型号	Dimensions/尺寸		
		A	B	C
2	DF14H-02P	1.25	2.75	4.30
3	DF14H-03P	2.50	4.00	5.55
4	DF14H-04P	3.75	5.25	6.80
5	DF14H-05P	5.00	6.50	8.05
6	DF14H-06P	6.25	7.75	9.30
7	DF14H-07P	7.50	9.00	10.55
8	DF14H-08P	8.75	10.25	11.80
9	DF14H-09P	10.00	11.50	13.05
10	DF14H-10P	11.25	12.75	14.30
15	DF14H-15P	17.50	19.00	20.55
20	DF14H-20P	23.75	25.25	26.80
25	DF14H-25P	30.00	31.50	33.05
30	DF14H-30P	36.25	37.75	39.30

DF14 SERIES 1.25mm Pitch Crimp Terminal

Features/产品特性:

- * Used in DF14 series socket(用于DF14系列塑壳)

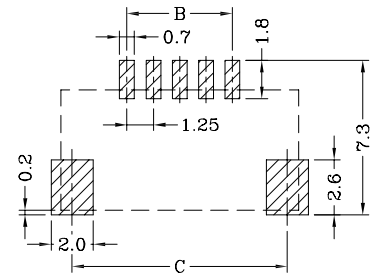


Part No./产品型号	Wire Range/线径范围	Insulation O.D/线外径	Material/材质	Finish/表面处理
DF14T-P	AWG #28 ~ #32	0.9mm(max)	Phosphor bronze	Tin-plated
DF14T-PG	AWG #28 ~ #32	0.9mm(max)	Phosphor bronze	Gold-plated

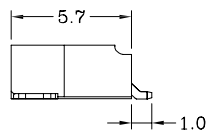
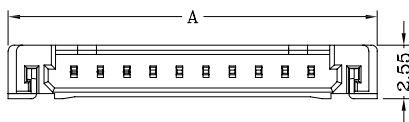
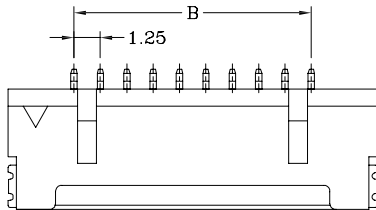
DF14 SERIES 1.25mm Pitch Wafer (SMR- Type)

Features/产品特性:

- * Single Row Horizontal SMT Wafer(单排卧贴插座)
- * Material(材质):
 Insulator(塑胶本体): Nylon 6T UL 94V-0
 Contacts(接触件): Phosphor Bronze,Tin-Plated
 Solder Tab(焊盘片): Brass,Tin-plated
- * Mates with DF14 series socket(与DF14系列塑壳配合)



P.C.B LAYOUT
线路板布局图

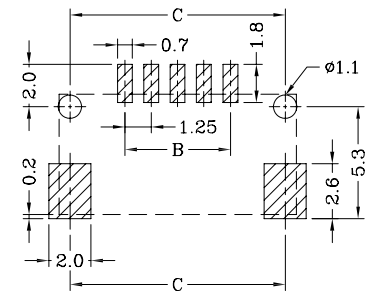


Poles 位数	Part No. 产品型号	Dimensions/尺寸		
		A	B	C
2	DF14SMR-02P	7.50	1.25	6.45
3	DF14SMR-03P	8.75	2.50	7.70
4	DF14SMR-04P	10.00	3.75	8.95
5	DF14SMR-05P	11.25	5.00	10.20
6	DF14SMR-06P	12.50	6.25	11.45
7	DF14SMR-07P	13.75	7.50	12.70
8	DF14SMR-08P	15.00	8.75	13.95
9	DF14SMR-09P	16.25	10.00	15.20
10	DF14SMR-10P	17.50	11.25	16.45
15	DF14SMR-15P	23.75	17.50	22.70
20	DF14SMR-20P	30.00	23.75	28.95
25	DF14SMR-25P	36.25	30.00	35.20
30	DF14SMR-30P	42.50	36.25	41.45

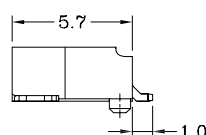
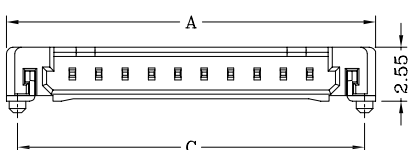
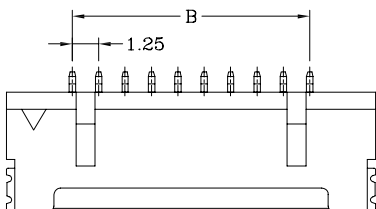
DF14 SERIES 1.25mm Pitch Wafer (SMR- Type)

Features/产品特性:

- * Single Row Horizontal SMT Wafer with Boss(单排卧贴插座带定位柱)
- * Material(材质):
 Insulator(塑胶本体): Nylon 6T UL 94V-0
 Contacts(接触件): Phosphor Bronze,Tin-Plated
 Solder Tab(焊盘片): Brass,Tin-plated
- * Mates with DF14 series socket(与DF14系列塑壳配合)



P.C.B LAYOUT
线路板布局图



Poles 位数	Part No. 产品型号	Dimensions/尺寸		
		A	B	C
2	DF14SMR-02P-B	7.50	1.25	6.45
3	DF14SMR-03P-B	8.75	2.50	7.70
4	DF14SMR-04P-B	10.00	3.75	8.95
5	DF14SMR-05P-B	11.25	5.00	10.20
6	DF14SMR-06P-B	12.50	6.25	11.45
7	DF14SMR-07P-B	13.75	7.50	12.70
8	DF14SMR-08P-B	15.00	8.75	13.95
9	DF14SMR-09P-B	16.25	10.00	15.20
10	DF14SMR-10P-B	17.50	11.25	16.45
15	DF14SMR-15P-B	23.75	17.50	22.70
20	DF14SMR-20P-B	30.00	23.75	28.95
25	DF14SMR-25P-B	36.25	30.00	35.20
30	DF14SMR-30P-B	42.50	36.25	41.45