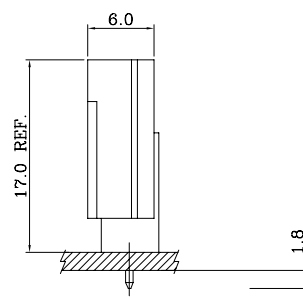


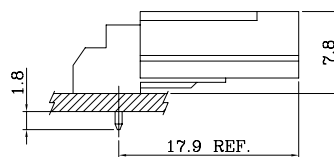
Assembly Layout/装配方案



S-Type/直插型

Specifications/技术参数:

Poles/位数	2~8 Poles
Pitch between poles/间距	2.50mm
Rated Voltage/额定电压	250V AV,DC
Rated Current/额定电流	2A (AWG #20)
Withstand Voltage/耐压值	800V AC/minute
Contact Resistance/接触电阻	20mΩ (MAX.)
Insulation Resistance/绝缘电阻	1000MΩ (MIN.)
Temperature Range/温度范围	-25°C ~ +85°C
Applicable PCB Thickness/适用板厚	1.6mm
Applicable PCB Hole dia./适用孔径	∅1.20±0.05mm
Applicable Wire Range/适用线径	AWG #20~#26

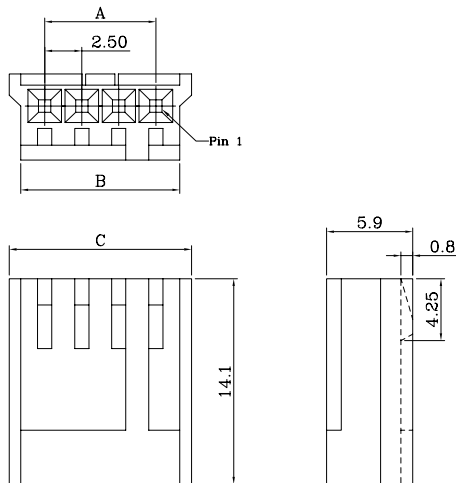


R-Type/弯插型

1116 SERIES 2.50mm Pitch Crimp Terminal Socket

Features/产品特性:

- * Single Row Terminal Socket(单排端子塑壳)
- * Material(材质): Nylon 66 UL 94V-0 (White)
- * Suitable for 1116 series terminal(适用于1116系列端子)

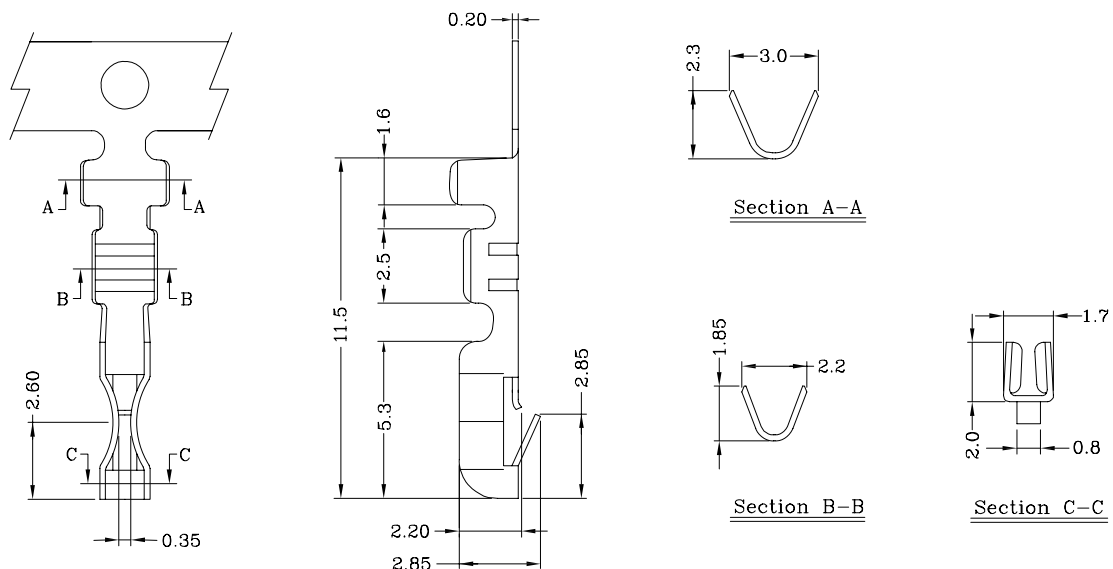


Poles 位数	Part No. 产品型号	Dimensions/尺寸		
		A	B	C
2	1116H-02P	2.50	5.90	7.50
3	1116H-03P	5.00	8.40	10.0
4	1116H-04P	7.50	10.9	12.5
5	1116H-05P	10.0	13.4	15.0
6	1116H-06P	12.5	15.9	17.5
7	1116H-07P	15.0	18.4	20.0
8	1116H-08P	17.5	20.9	22.5

1116 SERIES 2.50mm Pitch Crimp Terminal

Features/产品特性:

- * Used in 1116 series socket(用于1116系列塑壳)

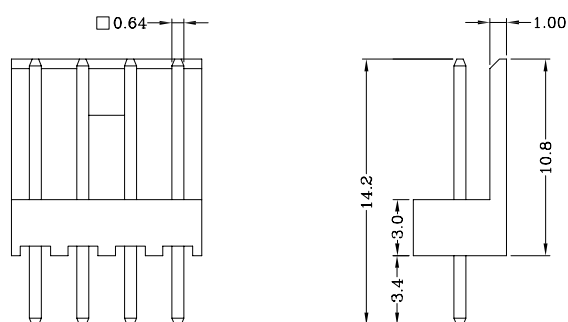
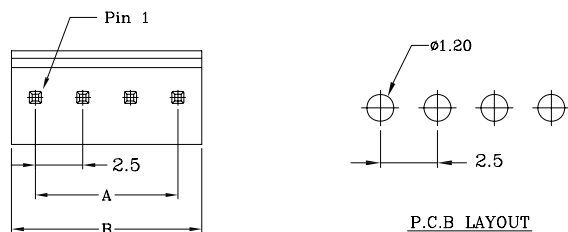


Part No./产品型号	Wire Range/线径范围	Insulation O.D/线外径	Material/材质	Finish/表面处理
1116T	AWG #20 ~ #26	1.75mm(max)	Brass	Tin-plated
1116T-P	AWG #20 ~ #26	1.75mm(max)	Phosphor bronze	Tin-plated

1116 SERIES 2.50mm Pitch Wafer (S-Type)

Features/产品特性:

- * Single Row Vertical DIP Wafer(单排直针焊板插座)
- * Material(材质):
Insulator(塑胶本体): Nylon 66 UL 94V-0 (White)
Contacts(接触件): Brass, Tin-Plated
- * Mates with 1116 series socket(与1116系列塑壳配合)

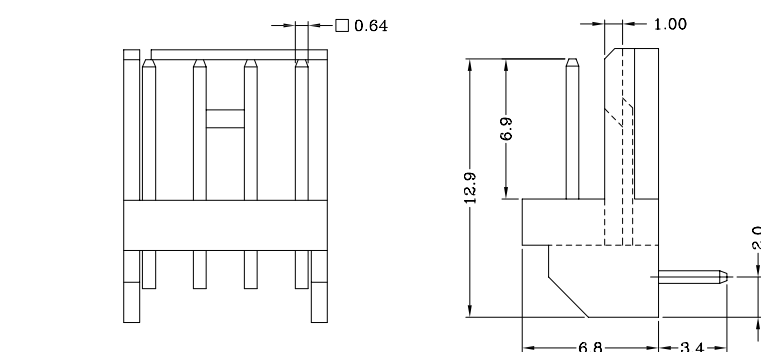
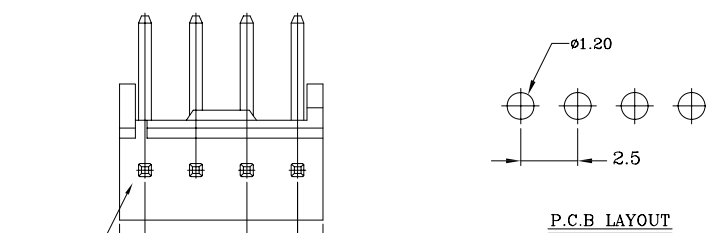


Poles 位数	Part No. 产品型号	Dimensions/尺寸	
		A	B
2	1116S-02P	2.5	5.0
3	1116S-03P	5.0	7.5
4	1116S-04P	7.5	10.0
5	1116S-05P	10.0	12.5
6	1116S-06P	12.5	15.0
7	1116S-07P	15.0	17.5
8	1116S-08P	17.5	20.0

1116 SERIES 2.50mm Pitch Wafer (R-Type)

Features/产品特性:

- * Single Row Horizontal DIP Wafer(单排弯针焊板插座)
- * Material(材质):
Insulator(塑胶本体): Nylon 66 UL 94V-0 (White)
Contacts(接触件): Brass, Tin-Plated
- * Mates with 1116 series socket(与1116系列塑壳配合)



Poles 位数	Part No. 产品型号	Dimensions/尺寸	
		A	B
2	1116R-02P	2.5	5.0
3	1116R-03P	5.0	7.5
4	1116R-04P	7.5	10.0
5	1116R-05P	10.0	12.5
6	1116R-06P	12.5	15.0
7	1116R-07P	15.0	17.5
8	1116R-08P	17.5	20.0