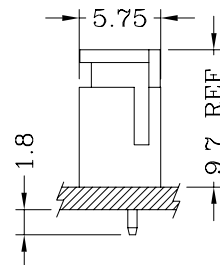


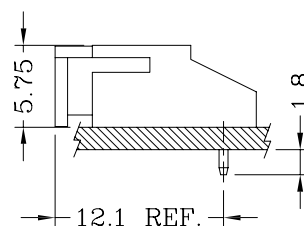
Assembly Layout/装配方案



S-Type/直插型

Specifications/技术参数:

Poles/位数	2~20 Poles
Pitch between poles/间距	2.50mm
Rated Voltage/额定电压	250V AV,DC
Rated Current/额定电流	3A (AWG #22)
Withstand Voltage/耐压值	1000V AC/minute
Contact Resistance/接触电阻	20mΩ (MAX.)
Insulation Resistance/绝缘电阻	1000MΩ (MIN.)
Temperature Range/温度范围	-25°C ~ +85°C
Applicable PCB Thickness/适用板厚	1.6mm
Applicable PCB Hole dia./适用孔径	∅0.90 ±0.10 mm
Applicable Wire Range/适用线径	AWG #22~#32

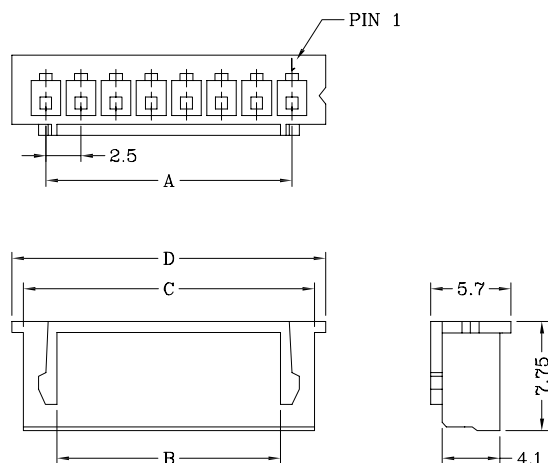


R-Type/弯插型

## 2001 SERIES 2.50mm Pitch Crimp Terminal Socket

Features/产品特性:

- \* Single Row Terminal Socket(单排端子塑壳)
- \* Material(材质): Nylon 66 UL 94V-0 (White)
- \* Suitable for 2001 series terminal(适用于2001系列端子)

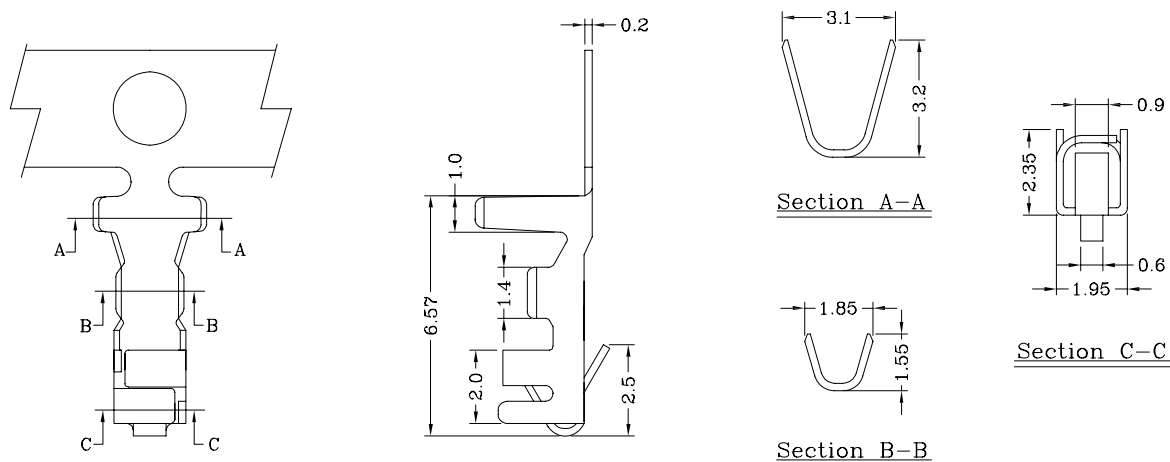


Poles 位数	Part No. 产品型号	Dimensions/尺寸			
		A	B	C	D
2	2001H-02P	2.5	0.9	5.7	7.3
3	2001H-03P	5.0	3.4	8.2	9.8
4	2001H-04P	7.5	5.9	10.7	12.3
5	2001H-05P	10.0	8.4	13.2	14.8
6	2001H-06P	12.5	10.9	15.7	17.3
7	2001H-07P	15.0	13.4	18.2	19.8
8	2001H-08P	17.5	15.9	20.7	22.3
9	2001H-09P	20.0	18.4	23.2	24.8
10	2001H-10P	22.5	20.9	25.7	27.3
11	2001H-11P	25.0	23.4	28.2	29.8
12	2001H-12P	27.5	25.9	30.7	32.3
13	2001H-13P	30.0	28.4	33.2	34.8
14	2001H-14P	32.5	30.9	35.7	37.3
15	2001H-15P	35.0	33.4	38.2	39.8
16	2001H-16P	37.5	35.9	40.7	42.3
17	2001H-17P	40.0	38.4	43.2	44.8
18	2001H-18P	42.5	40.9	45.7	47.3
19	2001H-19P	45.0	43.4	48.2	49.8
20	2001H-20P	47.5	45.9	50.7	52.3

## 2001 SERIES 2.50mm Pitch Crimp Terminal

Features/产品特性:

- \* Used in 2001 series socket(用于2001系列塑壳)

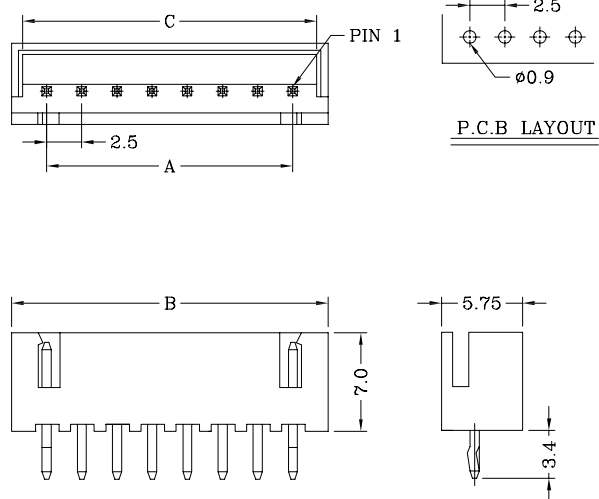


Part No./产品型号	Wire Range/线径范围	Insulation O.D/线外径	Material/材质	Finish/表面处理
2001T	AWG #22 ~ #28	1.90mm(max)	Brass	Tin-plated
2001T-P	AWG #22 ~ #28	1.90mm(max)	Phosphor bronze	Tin-plated
2001T-PG	AWG #22 ~ #28	1.90mm(max)	Phosphor bronze	Gold-flash

## 2001 SERIES 2.50mm Pitch Wafer (S-Type)

Features/产品特性:

- \* Single Row Vertical DIP Wafer(单排直针焊板插座)
- \* Material(材质):  
Insulator(塑胶本体): Nylon 66/6T UL 94V-0 (White/Milky Yellow)  
Contacts(接触件): Brass, Tin-Plated
- \* Mates with 2001 series socket(与2001系列塑壳配合)

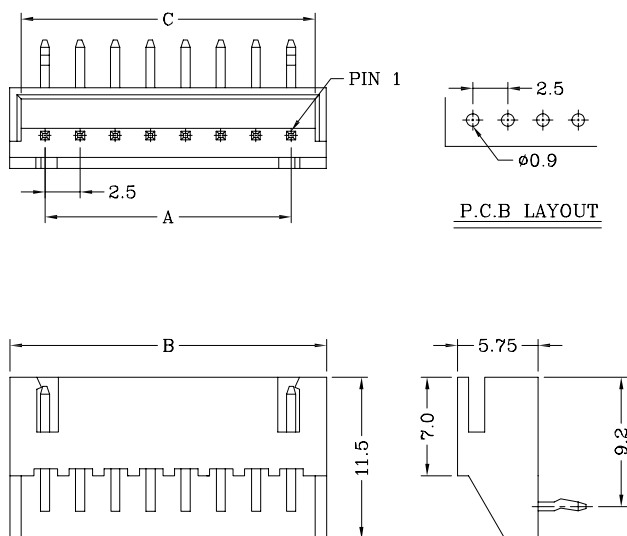


Poles 位数	Part No. 产品型号	Dimensions/尺寸		
		A	B	C
2	2001S-02P	2.5	7.5	6.1
3	2001S-03P	5.0	10.0	8.6
4	2001S-04P	7.5	12.5	11.1
5	2001S-05P	10.0	15.0	13.6
6	2001S-06P	12.5	17.5	16.1
7	2001S-07P	15.0	20.0	18.6
8	2001S-08P	17.5	22.5	21.1
9	2001S-09P	20.0	25.0	23.6
10	2001S-10P	22.5	27.5	26.1
11	2001S-11P	25.0	30.0	28.6
12	2001S-12P	27.5	32.5	31.1
13	2001S-13P	30.0	35.0	33.6
14	2001S-14P	32.5	37.5	36.1
15	2001S-15P	35.0	40.0	38.6
16	2001S-16P	37.5	42.5	41.1
17	2001S-17P	40.0	45.0	43.6
18	2001S-18P	42.5	47.5	46.1
19	2001S-19P	45.0	50.0	48.6
20	2001S-20P	47.5	52.5	51.1

## 2001 SERIES 2.50mm Pitch Wafer (R-Type)

Features/产品特性:

- \* Single Row Horizontal DIP Wafer(单排弯针焊板插座)
- \* Material(材质):  
Insulator(塑胶本体): Nylon 66/6T UL 94V-0 (White/Milky Yellow)  
Contacts(接触件): Brass, Tin-Plated
- \* Mates with 2001 series socket(与2001系列塑壳配合)



Poles 位数	Part No. 产品型号	Dimensions/尺寸		
		A	B	C
2	2001R-02P	2.5	7.5	6.1
3	2001R-03P	5.0	10.0	8.6
4	2001R-04P	7.5	12.5	11.1
5	2001R-05P	10.0	15.0	13.6
6	2001R-06P	12.5	17.5	16.1
7	2001R-07P	15.0	20.0	18.6
8	2001R-08P	17.5	22.5	21.1
9	2001R-09P	20.0	25.0	23.6
10	2001R-10P	22.5	27.5	26.1
11	2001R-11P	25.0	30.0	28.6
12	2001R-12P	27.5	32.5	31.1
13	2001R-13P	30.0	35.0	33.6
14	2001R-14P	32.5	37.5	36.1
15	2001R-15P	35.0	40.0	38.6
16	2001R-16P	37.5	42.5	41.1
17	2001R-17P	40.0	45.0	43.6
18	2001R-18P	42.5	47.5	46.1
19	2001R-19P	45.0	50.0	48.6
20	2001R-20P	47.5	52.5	51.1