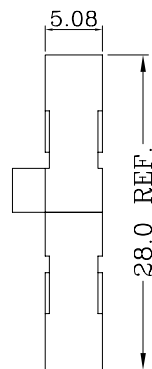
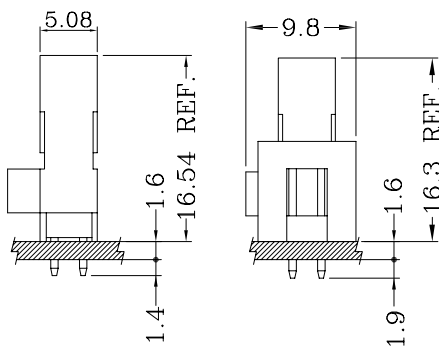


Assembly Layout/装配方案



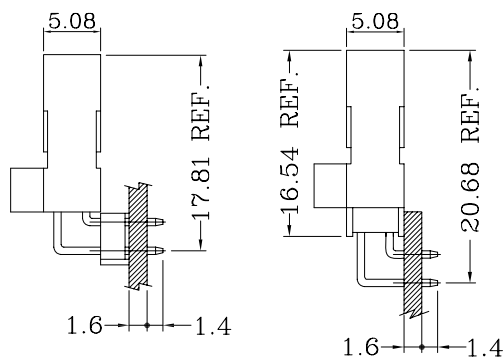
Wire to Wire/线对线



S-Type/直插型

Specifications/技术参数:

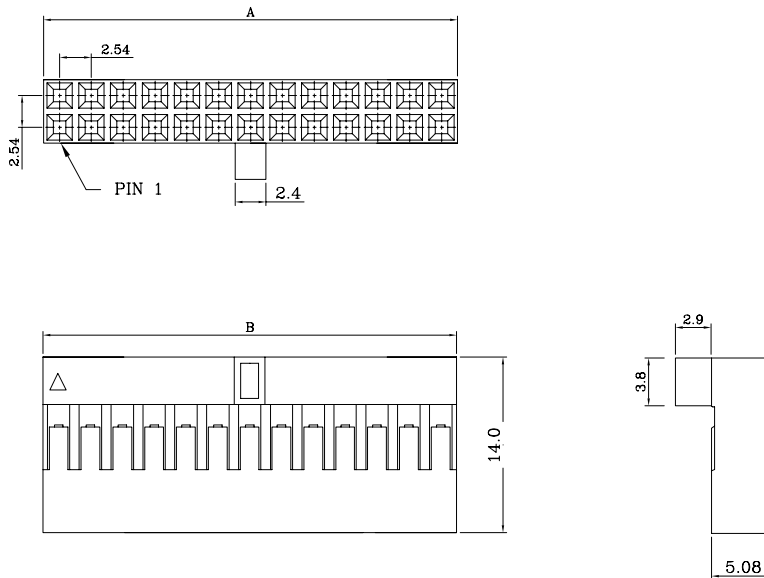
Poles/位数	2~50 Poles
Pitch between poles/间距	2.54mm
Rated Voltage/额定电压	250V AV,DC
Rated Current/额定电流	2.5A (AWG #22)
Withstand Voltage/耐压值	800V AC/minute
Contact Resistance/接触电阻	20mΩ (MAX.)
Insulation Resistance/绝缘电阻	1000MΩ (MIN.)
Temperature Range/温度范围	-25°C ~ +85°C
Applicable PCB Thickness/适用板厚	1.6mm
Applicable PCB Hole dia./适用孔径	∅1.20±0.05mm
Applicable Wire Range/适用线径	AWG #22~#28



R-Type/弯插型

Features/产品特性:

- * Dual Row Terminal Socket(双排端子塑壳)
- * Material(材质): PPO UL 94V-1 (Black)
- * Suitable for 1303 & 1304 series terminal(适用于1303和1304系列端子)

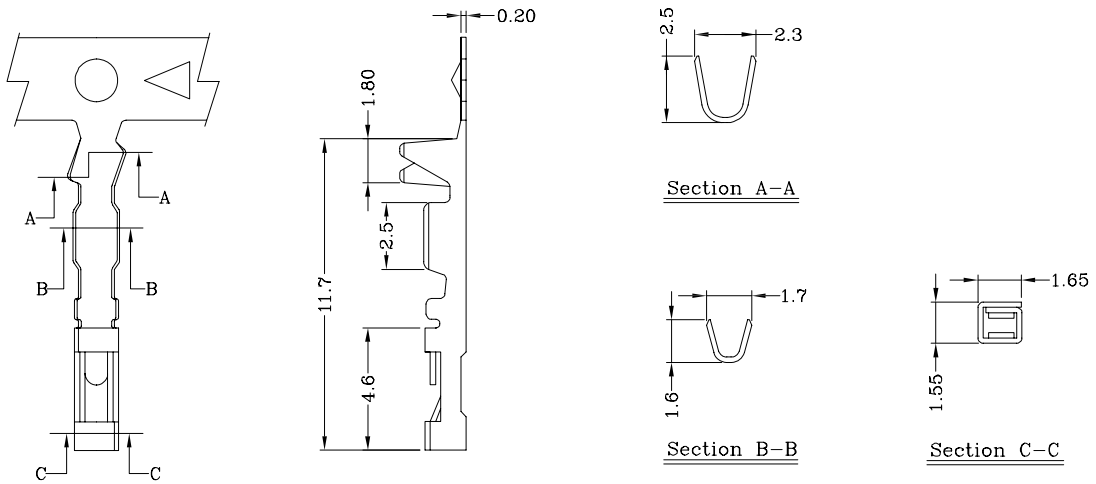


Poles 位数	Part No. 产品型号	Dimensions/尺寸		Poles 位数	Part No. 产品型号	Dimensions/尺寸	
		A	B			A	B
4	1303H/C-2*02P	2.54	5.08	28	1303H/C-2*14P	33.02	35.56
6	1303H/C-2*03P	5.08	7.62	30	1303H/C-2*15P	35.56	38.10
8	1303H/C-2*04P	7.62	10.16	32	1303H/C-2*16P	38.10	40.64
10	1303H/C-2*05P	10.16	12.7	34	1303H/C-2*17P	40.64	43.18
12	1303H/C-2*06P	12.7	15.24	36	1303H/C-2*18P	43.18	45.72
14	1303H/C-2*07P	15.24	17.78	38	1303H/C-2*19P	45.72	48.26
16	1303H/C-2*08P	17.78	20.32	40	1303H/C-2*20P	48.26	50.80
18	1303H/C-2*09P	20.32	22.86	42	1303H/C-2*21P	50.80	53.34
20	1303H/C-2*10P	22.86	25.40	44	1303H/C-2*22P	53.34	55.88
22	1303H/C-2*11P	25.40	27.94	46	1303H/C-2*23P	55.88	58.42
24	1303H/C-2*12P	27.94	30.48	48	1303H/C-2*24P	58.42	60.96
26	1303H/C-2*13P	30.48	33.02	50	1303H/C-2*25P	60.96	63.50

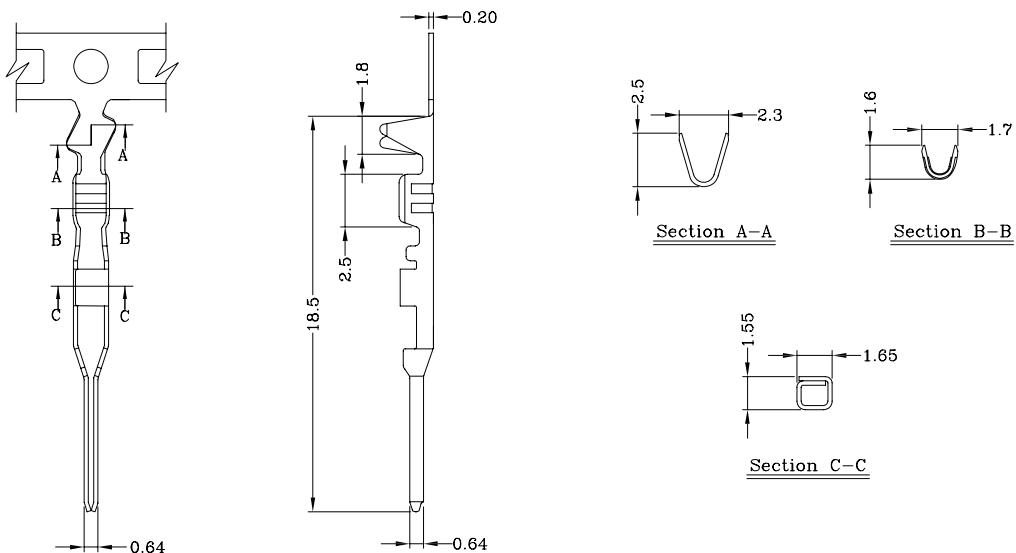
1303H/C SERIES 2.54mm Pitch Crimp Terminal

Features/产品特性:

* Used in 1303 & 1303H/C series socket(用于1303和1303H/C系列塑壳)



Part No./产品型号	Wire Range/线径范围	Insulation O.D/线外径	Material/材质	Finish/表面处理
1303T	AWG #22 ~ #28	1.70mm(max)	Brass	Tin-plated
1303T-P	AWG #22 ~ #28	1.70mm(max)	Phosphor bronze	Tin-plated
1303T-G	AWG #22 ~ #28	1.70mm(max)	Brass	Gold-plated
1303T-PG	AWG #22 ~ #28	1.70mm(max)	Phosphor bronze	Gold-plated



Part No./产品型号	Wire Range/线径范围	Insulation O.D/线外径	Material/材质	Finish/表面处理
1304T	AWG #22 ~ #28	1.60mm(max)	Brass	Tin-plated
1304T-G	AWG #22 ~ #28	1.60mm(max)	Brass	Gold-plated