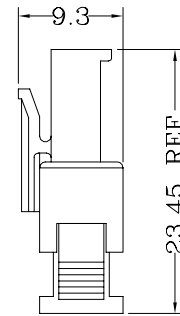
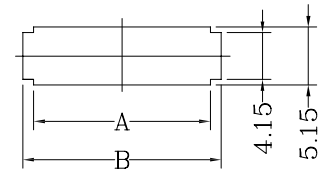


Assembly Layout/装配方案



Panel Hole Layout/面板孔布局



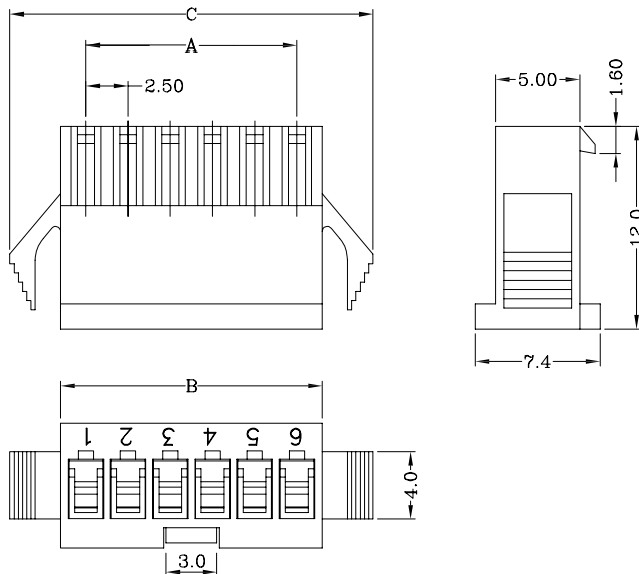
Specifications/技术参数:

Poles/位数	2~12 Poles
Pitch between poles/间距	2.50mm
Rated Voltage/额定电压	250V AV,DC
Rated Current/额定电流	3A (AWG #22)
Withstand Voltage/耐压值	1500V AC/minute
Contact Resistance/接触电阻	10mΩ (MAX.)
Insulation Resistance/绝缘电阻	500MΩ (MIN.)
Temperature Range/温度范围	-25°C ~ +85°C
Applicable PCB Thickness/适用板厚	0.5~2.0mm
Applicable Wire Range/适用线径	AWG #22~#28

Poles 位数	Dimensions/尺寸	
	A	B
2	5.7	9.6
3	8.2	12.1
4	10.7	14.6
5	13.2	17.1
6	15.7	19.6
7	18.2	22.1
8	20.7	24.6
9	23.2	27.1
10	25.7	29.6
11	28.2	32.1
12	30.7	34.6

### Features/产品特性:

- \* Single Row Terminal Socket(单排端子塑壳)
- \* Material(材质): Nylon 66 UL 94V-0 (Black)
- \* Suitable for 24118 series terminal(适用于24118系列端子)
- \* Mates with 24119 receptacle(与24119系列塑壳配合)

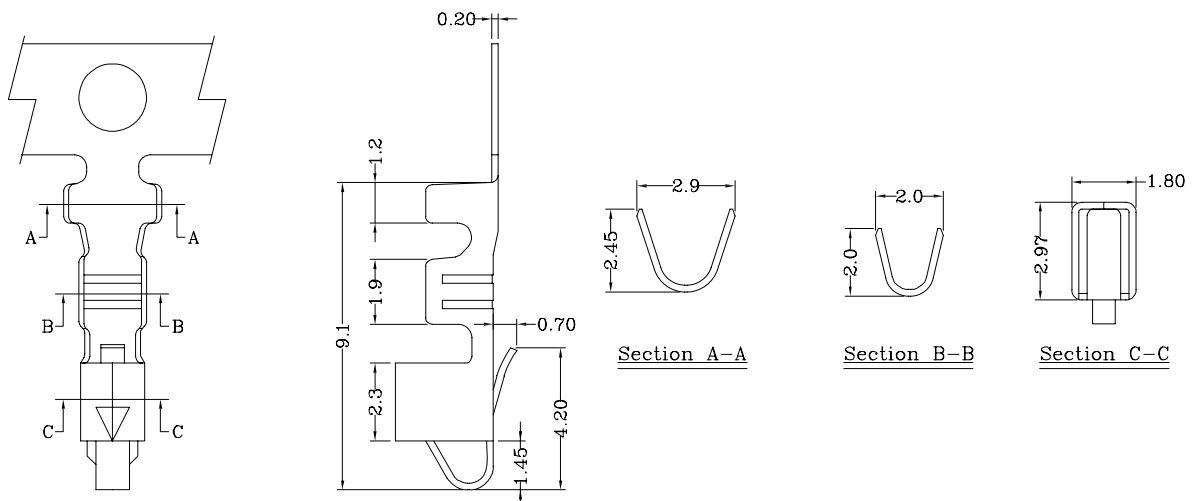


Poles 位数	Part No. 产品型号	Dimensions/尺寸		
		A	B	C
2	24118H-02P	2.5	5.5	11.5
3	24118H-03P	5.0	8.0	14.0
4	24118H-04P	7.5	10.5	16.5
5	24118H-05P	10.0	13.0	19.0
6	24118H-06P	12.5	15.5	21.5
7	24118H-07P	15.0	18.0	24.0
8	24118H-08P	17.5	20.5	26.5
9	24118H-09P	20.0	23.0	29.0
10	24118H-10P	22.5	25.5	31.5
11	24118H-11P	25.0	28.0	34.0
12	24118H-12P	27.5	30.5	36.5

# 24118 SERIES 2.50mm Pitch Crimp Terminal

### Features/产品特性:

- \* Used in 24118 series socket(用于24118系列塑壳)

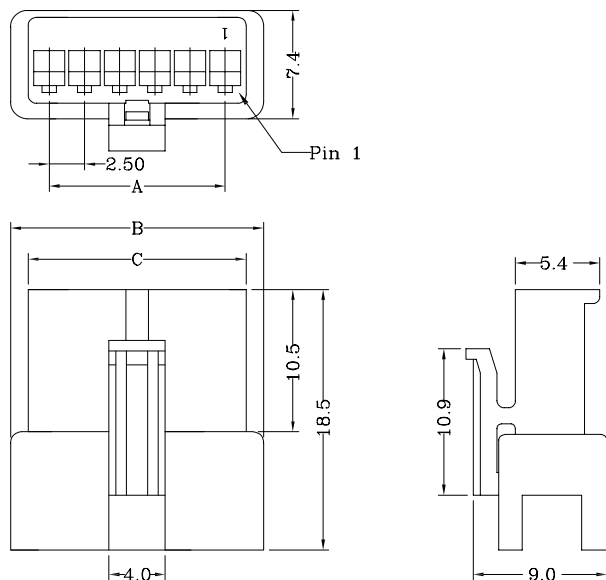


Part No./产品型号	Wire Range/线径范围	Insulation O.D/线外径	Material/材质	Finish/表面处理
24118T	AWG #22 ~ #28	1.70mm(max)	Brass	Tin-plated
24118T-P	AWG #22 ~ #28	1.70mm(max)	Phosphor bronze	Tin-plated

## 24119 SERIES 2.50mm Pitch Crimp Terminal Plug Socket

Features/产品特性:

- \* Single Row Terminal Socket(单排端子塑壳)
- \* Material(材质): Nylon 66 UL 94V-0 (Black)
- \* Suitable for 24119 series terminal(适用于24119系列端子)
- \* Mates with 24118 receptacle(与24118系列塑壳配合)

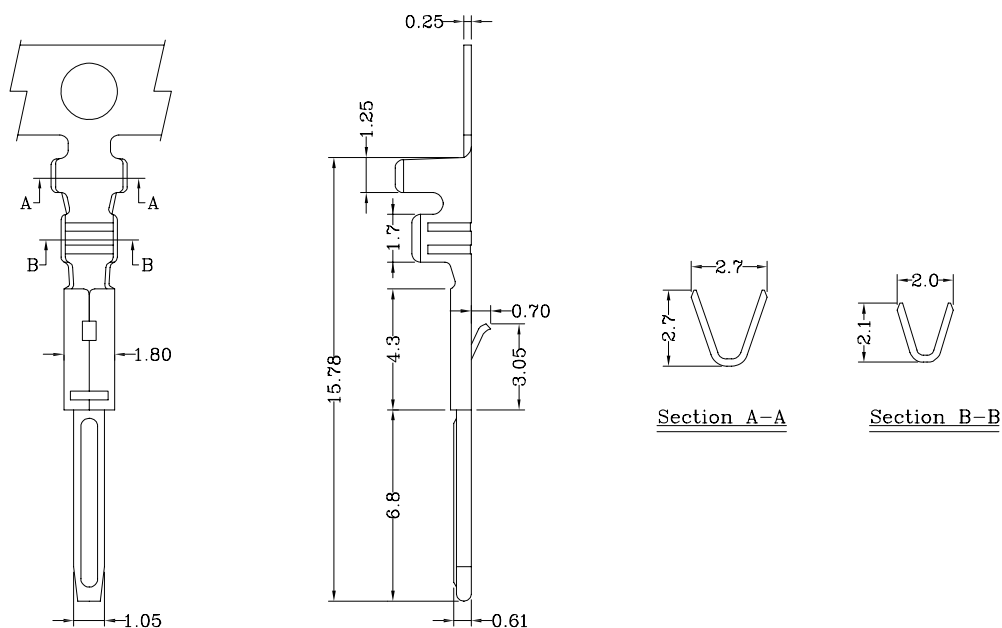


Poles 位数	Part No. 产品型号	Dimensions/尺寸		
		A	B	C
2	24119H-02P	2.5	8.0	5.6
3	24119H-03P	5.0	10.5	8.1
4	24119H-04P	7.5	13.0	10.6
5	24119H-05P	10.0	15.5	13.1
6	24119H-06P	12.5	18.0	15.6
7	24119H-07P	15.0	20.5	18.1
8	24119H-08P	17.5	23.0	20.6
9	24119H-09P	20.0	25.5	23.1
10	24119H-10P	22.5	28.0	25.6
11	24119H-11P	25.0	30.5	28.1
12	24119H-12P	27.5	33.0	30.6

## 24119 SERIES 2.50mm Pitch Crimp Terminal

Features/产品特性:

- \* Used in 24119 series socket(用于24119系列塑壳)



Part No./产品型号	Wire Range/线径范围	Insulation O.D/线外径	Material/材质	Finish/表面处理
24119T	AWG #22 ~ #28	1.70mm(max)	Brass	Tin-plated